



RBS-serien vakuumpressorer



RBS-serien

RBS vakuumpressorer är innovativa och effektiva roterande fläktar som i kombination med det nya Low Puls systemet kan minska den gas som skall överföras till efterftyckpulsen vid 2% användartryck.

Huvudsakliga tekniska egenskaper

- Flöde upp till 25.000 m³ / h
- Motoreffekt upp till 500 kW
- Absolut inloppstryck från 500 mbar
- Maximal kompression
- Maximal effekt temperatur 150 ° C

Prestanda och fördelar

- Låg ljudnivå.
- Konstruerade för ytterligare maximal ljuddämpning.
- Den teoretiska livslängden för lager i de tuffaste applikationer upp till 100 000 timmar.
- Stora axlar, som möjliggör högre driftryck och högre hastigheter.
- Minimal slitage på rörliga delar.
- Automatisk smörjning av lager och växlar.
- Enkla att underhålla.

Användningsområden

- Avloppsvattenrening
- Materialtransporter
- Gastransport
- Centraldammsugsystem mm.



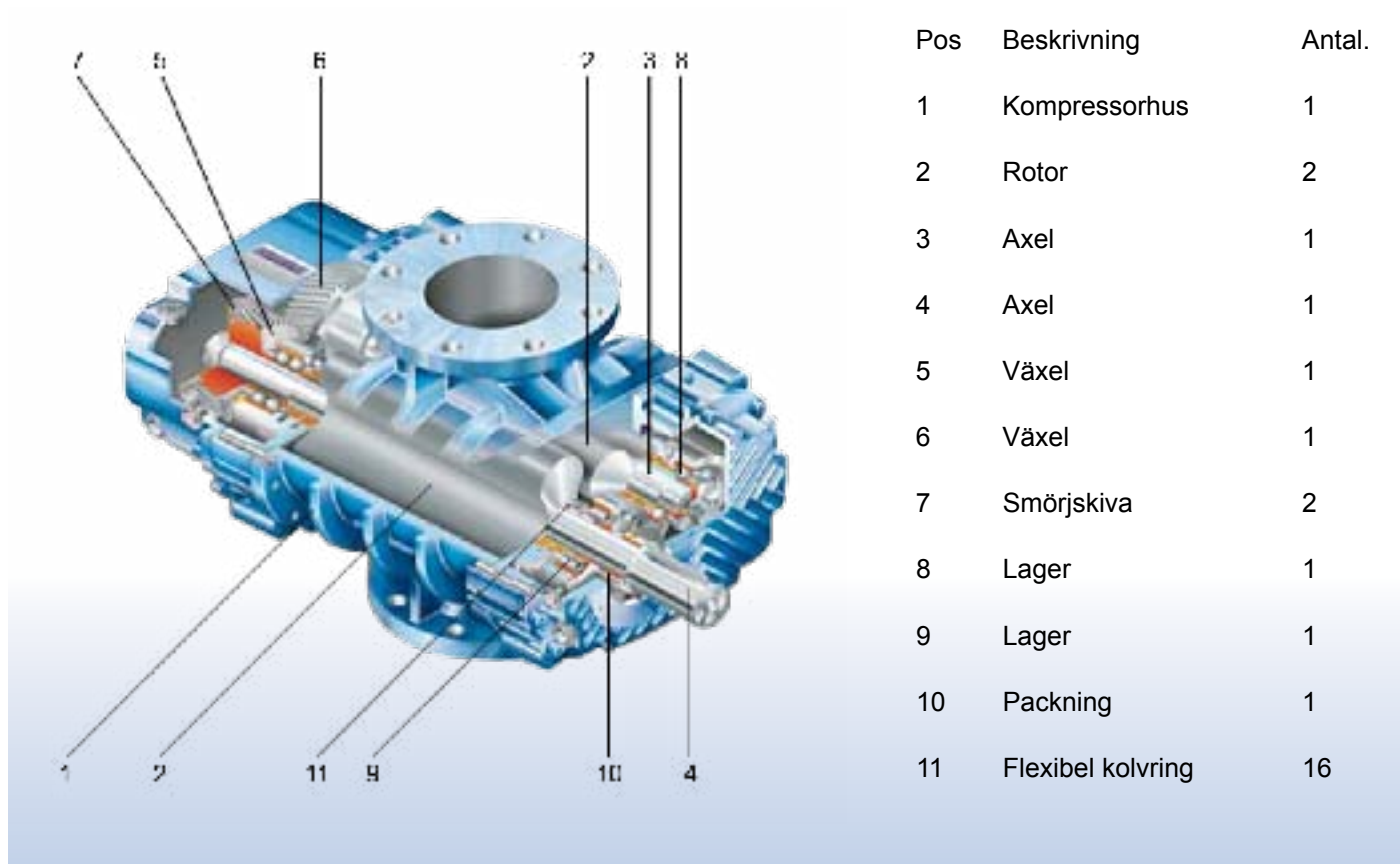
Specialkylning av fläkt



Försedd med extra hållbar ytbehandling.



Skiss



Finns även i ATEX-utförande.

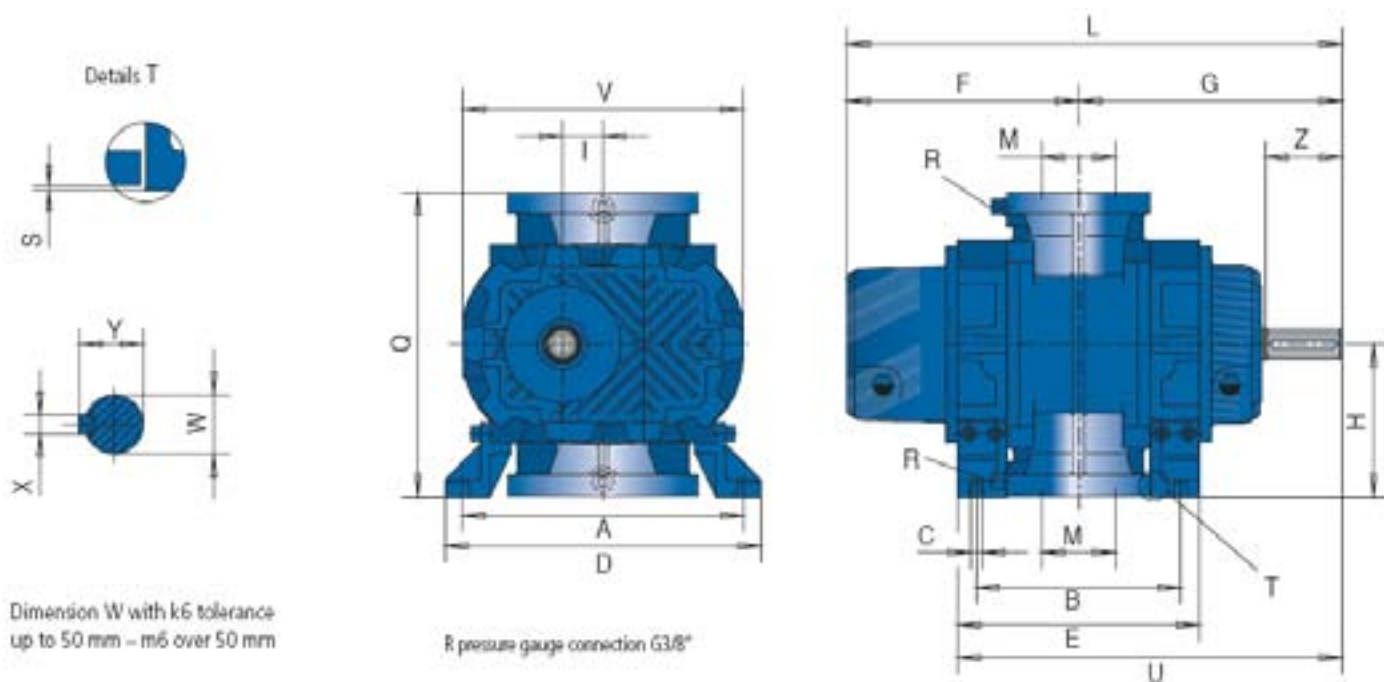


*Väl utvecklad rotor finish
för att säkerställa optimal
prestanda*

*Noggrann tillverkning och
ytbehandling av varje
detalj för ökad tolerans och
effektivitet*



Mått och vikter



Modell	A	B	C	D	E	F	G	H-0.5	L	M	Q	S	U	V	W	Z	X	Y	Vikt (kg)
RBS 15	200	175	13	248	205	200	191	112	34,0	50	223	1	294	252	24	50	8	27	36
RBS 25	200	210	13	248	240	218	208	112	34,0	65	223	1	328	252	24	50	8	27	41
RBS 35	295	215	12	331	251	243	265	160	42,5	80	319	1	392	295	38	80	10	41	85
RBS 45	295	275	12	331	311	273	295	160	42,5	80	319	1	452	295	38	80	10	41	97
RBS 46	295	375	12	331	411	324	345	160	42,5	100	319	1	552	295	38	80	10	41	117
RBS 55	340	276	14	385	322	309	330	185	53,5	100	369	1	491	345	48	110	14	51,5	144
RBS 65	340	341	14	385	387	340	361	185	53,5	150	369	1	555	345	48	110	14	51,5	160
RBS 66	340	451	14	385	497	396	417	185	53,5	150	369	1	665	345	48	110	14	51,5	193
RBS 75	370	316	18	420	369	345	365	225	67,5	125	449	1	549	415	55	110	16	59	210
RBS 85	370	431	18	420	482	405	423	225	67,5	150	449	1	665	415	55	110	16	59	250
RBS 86	370	541	18	420	592	460	478	225	67,5	200	449	1	775	415	55	110	16	59	316
RBS 95	430	406	18	486	462	415	449	265	84,0	150	529	1	676	522	60	140	18	64	360
RBS 105	430	501	18	486	557	463	497	265	84,0	200	529	1	771	522	60	140	18	64	400
RBS 106	430	651	18	486	707	538	572	265	84,0	200	529	1	921	522	60	140	18	64	440
RBS 115	550	480	22	640	536	473	513	300	106,0	200	599	1	781	618	70	140	20	74,5	540
RBS 125	550	590	22	640	646	528	568	300	106,0	250	599	1	891	618	70	140	20	74,5	605
RBS 126	550	790	22	640	846	628	668	300	106,0	300	599	1	1091	618	70	140	20	74,5	670
RBS 135	680	542	26	770	600	538	592	360	135,0	250	719	1	892	790	85	170	22	90	910
RBS 145	680	747	26	770	805	641	695	360	135,0	300	719	1	1098	790	85	170	22	90	1040
RBS 155	680	987	26	770	955	716	770	360	135,0	300	719	1	1248	790	85	170	22	90	1180
RBS 165	800	750	30	920	825	676	750	400	170,0	300	798	2	1163	974	100	210	28	106	1790
RBS 175	800	970	30	920	1045	786	860	400	170,0	350	798	2	1383	974	100	210	28	106	1890
RBS 205	1020	890	36	1140	970	793	836	500	213,0	400	998	2	132	1203	120	210	32	127	2870
RBS 225	1020	1240	36	1140	1320	968	1011	500	213,0	500	998	2	1671	1203	120	210	32	127	3270



RBS 15

Pressure operation

Nsof: Blower absorbed power

Nmot: Advised motor power

Lp(A) sc: Sound pressure level in accordance with ISO 3746 in a free field at 1m without noise enclosure and with sound insulated pipes

Lp(A) cc: Sound pressure level in accordance with ISO 3746 in a free field at 1m with noise enclosure and with sound insulated pipes

Performances related to atmospheric air: abs. pressure 1,013 mbar Temperature 20° C Humidity 50% Specific weight 1.2 kg/m3

For performances with gases other than atmospheric air or at non-standard conditions contact your Authorized ROBUSCHI representative

Tolerance on performances: in accordance with the Robuschi TE1.S.0015 specification

Table of performance data for RBS 15 Pressure operation, listing DP (mbar), Poles, rpm, and various metrics (Q1, DT, Nsof, Nmot, Lp(A) sc, Lp(A) cc) for flow rates from 1500 to 5000 m³/min.



RBS 15

Vacuum operation

Nsof: Blower absorbed power

Nmot: Advised motor power

Lp(A) sc: Sound pressure level in accordance with ISO 3746 in a free field at 1m without noise enclosure and with sound insulated pipes

Lp(A) cc: Sound pressure level in accordance with ISO 3746 in a free field at 1m with noise enclosure and with sound insulated pipes

Performances related to atmospheric air: abs. pressure 1,013 mbar Temperature 20° C Humidity 50% Specific weight 1.2 kg/m3

For performances with gases other than atmospheric air or at non-standard conditions contact your Authorized ROBUSCHI representative

Tolerance on performances: in accordance with the Robuschi TE1.S.0015 specification

Table of performance data for RBS 15 Vacuum operation, listing DP (mbar), Poles, rpm, and various metrics (Q1, DT, Nsof, Nmot, Lp(A) sc, Lp(A) cc) for flow rates from 1500 to 5000 m³/min.



RBS 25

Pressure operation

Nsof: Blower absorbed power

Nmot: Advised motor power

Lp(A) sc: Sound pressure level in accordance with ISO 3746 in a free field at 1m without noise enclosure and with sound insulated pipes

Lp(A) cc: Sound pressure level in accordance with ISO 3746 in a free field at 1m with noise enclosure and with sound insulated pipes

Performances related to atmospheric air:
abs. pressure 1,013 mbar
Temperature 20° C
Humidity 50%
Specific weight 1.2 kg/m3

For performances with gases other than atmospheric air or at non-standard conditions contact your Authorized ROBUSCHI representative

Tolerance on performances: in accordance with the Robuschi TE1.S.0015 specification

DP (mbar)	Poles rpm	4				2					
		1500	1800	2200	2600	3000	3600	4000	4400	4600	5000
300	Q1 m³/min	1,1	1,5	2,0	2,6	3,1	3,9	4,5	5,0	5,3	5,8
	DT °C	46	46	40	36	34	31	30	29	29	29
	Nsof kW	1,4	1,7	2,0	2,4	2,8	3,3	3,7	4,1	4,3	4,6
	Nmot kW	2,2	2,2	3	3	4	4	5,5	5,5	5,5	5,5
	Lp(A) sc	76	78	80	82	83	85	87	88	88	89
	Lp(A) cc	<70	<70	<70	<70	<70	<70	<70	<70	<70	<70
400	Q1 m³/min	0,9	1,4	1,9	2,4	3,0	3,8	4,3	4,9	5,1	5,7
	DT °C	71	71	59	52	48	45	42	41	40	39
	Nsof kW	1,7	2,1	2,5	3,0	3,5	4,1	4,6	5,0	5,3	5,8
	Nmot kW	2,2	3	3	4	5,5	5,5	5,5	7,5	7,5	7,5
	Lp(A) sc	77	79	81	83	84	86	87	88	88	89
	Lp(A) cc	<70	<70	<70	<70	<70	<70	<70	<70	<70	<70
500	Q1 m³/min		1,2	1,8	2,3	2,8	3,7	4,2	4,7	5,0	5,5
	DT °C		82	70	63	59	55	53	52	51	50
	Nsof kW		2,5	3,0	3,6	4,1	5,0	5,5	6,1	6,3	6,9
	Nmot kW		3	4	5,5	5,5	7,5	7,5	7,5	7,5	11
	Lp(A) sc		79	81	83	85	87	88	89	89	90
	Lp(A) cc		<70	<70	<70	<70	<70	<70	<70	<70	<70
600	Q1 m³/min		1,6	2,2	2,7	3,5	4,1	4,6	4,9	5,4	
	DT °C		89	80	74	68	66	64	63	62	
	Nsof kW		3,5	4,2	4,8	5,8	6,4	7,0	7,4	8,0	
	Nmot kW		5,5	5,5	5,5	7,5	7,5	11	11	11	
	Lp(A) sc		82	84	85	87	88	89	90	91	
	Lp(A) cc		<70	<70	<70	<70	<70	<70	<70	<70	
700	Q1 m³/min				2,6	3,4	4,0	4,5	4,8	5,3	
	DT °C				89	82	79	76	75	73	
	Nsof kW				5,5	6,6	7,3	8,0	8,4	9,1	
	Nmot kW				7,5	7,5	11	11	11	11	
	Lp(A) sc				86	88	89	90	90	91	
	Lp(A) cc				<70	<70	<70	<70	<70	<70	
800	Q1 m³/min										
	DT °C										
	Nsof kW										
	Nmot kW										
	Lp(A) sc										
	Lp(A) cc										
900	Q1 m³/min										
	DT °C										
	Nsof kW										
	Nmot kW										
	Lp(A) sc										
	Lp(A) cc										
1000	Q1 m³/min										
	DT °C										
	Nsof kW										
	Nmot kW										
	Lp(A) sc										
	Lp(A) cc										



RBS 25

Vacuum operation

Nsof: Blower absorbed power

Nmot: Advised motor power

Lp(A) sc: Sound pressure level in accordance with ISO 3746 in a free field at 1m without noise enclosure and with sound insulated pipes

Lp(A) cc: Sound pressure level in accordance with ISO 3746 in a free field at 1m with noise enclosure and with sound insulated pipes

Performances related to atmospheric air:
abs. pressure 1,013 mbar
Temperature 20° C
Humidity 50%
Specific weight 1.2 kg/m3

For performances with gases other than atmospheric air or at non-standard conditions contact your Authorized ROBUSCHI representative

Tolerance on performances: in accordance with the Robuschi TE1.S.0015 specification

DP (mbar)	Poles rpm	4				2					
		1500	1800	2200	2600	3000	3600	4000	4400	4600	5000
200	Q1 m³/min	1,2	1,6	2,1	2,7	3,2	4,0	4,5	5,1	5,4	5,9
	DT °C	36	32	29	27	26	25	24	24	24	24
	Nsof kW	1,1	1,3	1,5	1,8	2,1	2,5	2,8	3,1	3,2	3,5
	Nmot kW	1,5	1,5	2,2	2,2	3	3	4	4	4	5,5
	Lp(A) sc	76	78	80	82	83	85	86	87	88	89
	Lp(A) cc	<70	<70	<70	<70	<70	<70	<70	<70	<70	<70
250	Q1 m³/min	1,0	1,4	2,0	2,5	3,1	3,9	4,4	5,0	5,2	5,8
	DT °C	53	46	41	38	36	34	34	33	33	32
	Nsof kW	1,2	1,5	1,8	2,1	2,4	2,9	3,3	3,6	3,7	4,1
	Nmot kW	1,5	2,2	2,2	3	3	4	4	5,5	5,5	5,5
	Lp(A) sc	76	78	80	82	84	86	87	88	88	89
	Lp(A) cc	<70	<70	<70	<70	<70	<70	<70	<70	<70	<70
300	Q1 m³/min	0,9	1,3	1,9	2,4	2,9	3,7	4,3	4,8	5,1	5,6
	DT °C	78	65	56	52	49	46	44	43	43	42
	Nsof kW	1,4	1,7	2,0	2,4	2,8	3,3	3,7	4,1	4,3	4,6
	Nmot kW	2,2	2,2	3	3	4	4	5,5	5,5	5,5	5,5
	Lp(A) sc	77	79	81	83	84	86	87	88	88	89
	Lp(A) cc	<70	<70	<70	<70	<70	<70	<70	<70	<70	<70
350	Q1 m³/min		1,7	2,3	2,8	3,6	4,2	4,7	5,0	5,5	
	DT °C		76	69	64	59	57	56	55	54	
	Nsof kW		2,3	2,7	3,1	3,7	4,2	4,6	4,8	5,2	
	Nmot kW		3	4	4	5,5	5,5	5,5	5,5	7,5	
	Lp(A) sc		81	83	85	87	88	89	89	90	
	Lp(A) cc		<70	<70	<70	<70	<70	<70	<70	<70	
400	Q1 m³/min				2,7	3,5	4,0	4,6	4,8	5,4	
	DT °C				83	76	74	71	70	69	
	Nsof kW				3,5	4,1	4,6	5,1	5,3	5,8	
	Nmot kW				5,5	5,5	5,5	7,5	7,5	7,5	
	Lp(A) sc				85	87	89	90	90	91	
	Lp(A) cc				<70	<70	<70	<70	<70	<70	
450	Q1 m³/min								4,7	5,2	
	DT °C								89	87	
	Nsof kW								5,8	6,3	
	Nmot kW								7,5	7,5	
	Lp(A) sc								91	92	
	Lp(A) cc								<70	<70	
500	Q1 m³/min										
	DT °C										
	Nsof kW										
	Nmot kW										
	Lp(A) sc										
	Lp(A) cc										
550	Q1 m³/min										
	DT °C										
	Nsof kW										
	Nmot kW										
	Lp(A) sc										
	Lp(A) cc										



RBS 35

Pressure operation

Nsof: Blower absorbed power

Nmot: Advised motor power

Lp(A) sc: Sound pressure level in accordance with ISO 3746 in a free field at 1m without noise enclosure and with sound insulated pipes

Lp(A) cc: Sound pressure level in accordance with ISO 3746 in a free field at 1m with noise enclosure and with sound insulated pipes

Performances related to atmospheric air:
abs. pressure 1,013 mbar
Temperature 20° C
Humidity 50%
Specific weight 1.2 kg/m3

For performances with gases other than atmospheric air or at non-standard conditions contact your Authorized ROBUSCHI representative

Tolerance on performances: in accordance with the Robuschi TE1.S.0015 specification

DP (mbar)	Poles rpm	4				2					
		1500	1800	2200	2600	3000	3600	4000	4400	4600	5000
300	Q1 m³/min	1.9	2.5	3.3	4.1	4.9	6.1	6.9	7.7	8.1	8.9
	DT °C	39	36	33	31	30	29	29	28	28	28
	Nsof kW	1.6	1.9	2.4	2.9	3.4	4.3	5.0	5.7	6.1	6.9
	Nmot kW	2.2	3	3	4	5.5	5.5	7.5	7.5	7.5	11
	Lp(A) sc	<70	70	74	76	79	82	84	85	86	87
	Lp(A) cc	<70	<70	<70	<70	<70	<70	<70	<70	<70	<70
400	Q1 m³/min	1.7	2.3	3.1	3.9	4.7	5.9	6.7	7.5	7.9	8.7
	DT °C	57	51	46	44	42	40	39	39	38	38
	Nsof kW	2.1	2.5	3.1	3.7	4.4	5.5	6.3	7.1	7.6	8.5
	Nmot kW	3	3	4	5.5	5.5	7.5	7.5	11	11	11
	Lp(A) sc	<70	72	75	78	80	83	85	87	88	89
	Lp(A) cc	<70	<70	<70	<70	<70	<70	<70	<70	<70	<70
500	Q1 m³/min	1.6	2.2	3.0	3.8	4.6	5.8	6.6	7.4	7.8	8.6
	DT °C	78	68	61	57	54	51	50	49	49	48
	Nsof kW	2.6	3.1	3.8	4.6	5.4	6.7	7.6	8.6	9.1	10.2
	Nmot kW	4	4	5.5	5.5	7.5	7.5	11	11	11	15
	Lp(A) sc	70	73	76	79	82	85	87	88	89	90
	Lp(A) cc	<70	<70	<70	<70	<70	<70	<70	<70	<70	<70
600	Q1 m³/min	1.4	2.0	2.8	3.6	4.4	5.6	6.4	7.2	7.6	8.4
	DT °C	103	87	77	71	67	63	62	60	60	59
	Nsof kW	3.1	3.7	4.6	5.5	6.4	7.9	9.0	10.1	10.7	11.9
	Nmot kW	4	5.5	5.5	7.5	7.5	11	11	15	15	15
	Lp(A) sc	71	74	78	81	83	86	88	90	90	92
	Lp(A) cc	<70	<70	<70	<70	<70	<70	<70	<70	<70	<70
700	Q1 m³/min		1.9	2.7	3.5	4.3	5.5	6.3	7.1	7.5	8.3
	DT °C		108	93	85	80	75	73	71	71	69
	Nsof kW		4.3	5.3	6.3	7.4	9.1	10.3	11.5	12.2	13.5
	Nmot kW		5.5	7.5	7.5	11	11	15	15	15	18.5
	Lp(A) sc		76	79	82	84	87	89	91	92	93
	Lp(A) cc		<70	<70	<70	<70	<70	<70	<70	<70	<70
800	Q1 m³/min		2.6	3.4	4.2	5.4	6.2	7.0	7.4	8.2	
	DT °C		111	101	94	88	85	83	82	81	
	Nsof kW		6.0	7.2	8.4	10.3	11.6	13.0	13.7	15.2	
	Nmot kW		7.5	11	11	15	15	18.5	18.5		
	Lp(A) sc		80	83	85	89	90	92	93	94	
	Lp(A) cc		<70	<70	<70	<70	<70	<70	<70	<70	
900	Q1 m³/min		3.3	4.1	5.0	6.1	6.9	7.3	8.1		
	DT °C		117	109	101	98	95	94	92		
	Nsof kW		8.1	9.4	11.5	13.0	14.5	15.3	16.9		
	Nmot kW		11	11	15	15	18.5	18.5	22		
	Lp(A) sc		84	87	90	91	93	94	95		
	Lp(A) cc		<70	<70	<70	<70	<70	<70	<70		
1000	Q1 m³/min		4.0	5.2	6.0	6.8	7.2	8.0			
	DT °C		124	114	110	107	106	103			
	Nsof kW		10.4	12.7	14.3	15.9	16.8	18.5			
	Nmot kW		15	15	18.5	18.5	22	22			
	Lp(A) sc		88	91	93	94	95	96			
	Lp(A) cc		<70	<70	<70	<70	<70	<70			



RBS 35

Vacuum operation

Nsof: Blower absorbed power

Nmot: Advised motor power

Lp(A) sc: Sound pressure level in accordance with ISO 3746 in a free field at 1m without noise enclosure and with sound insulated pipes

Lp(A) cc: Sound pressure level in accordance with ISO 3746 in a free field at 1m with noise enclosure and with sound insulated pipes

Performances related to atmospheric air:
abs. pressure 1,013 mbar
Temperature 20° C
Humidity 50%
Specific weight 1.2 kg/m3

For performances with gases other than atmospheric air or at non-standard conditions contact your Authorized ROBUSCHI representative

Tolerance on performances: in accordance with the Robuschi TE1.S.0015 specification

DP (mbar)	Poles rpm	4				2					
		1500	1800	2200	2600	3000	3600	4000	4400	4600	5000
200	Q1 m³/min	2.0	2.6	3.4	4.2	5.0	6.2	7.0	7.8	8.2	9.0
	DT °C	31	29	27	25	25	24	24	23	23	23
	Nsof kW	1.1	1.3	1.6	2.0	2.4	3.1	3.6	4.2	4.5	5.2
	Nmot kW	1.5	2.2	2.2	3	3	4	5.5	5.5	5.5	7.5
	Lp(A) sc	<70	<70	73	76	78	81	83	84	85	87
	Lp(A) cc	<70	<70	<70	<70	<70	<70	<70	<70	<70	<70
250	Q1 m³/min	1.8	2.1	3.2	4.0	4.8	6.0	6.8	7.6	8.0	8.8
	DT °C	45	40	37	35	34	33	32	32	31	31
	Nsof kW	1.3	1.6	2.0	2.4	2.9	3.7	4.3	4.9	5.3	6.0
	Nmot kW	2.2	2.2	3	3	4	5.5	5.5	7.5	7.5	7.5
	Lp(A) sc	<70	71	74	77	79	82	84	86	86	88
	Lp(A) cc	<70	<70	<70	<70	<70	<70	<70	<70	<70	<70
300	Q1 m³/min	1.7	2.3	3.1	3.9	4.7	5.9	6.7	7.5	7.9	8.7
	DT °C	62	55	50	47	45	43	42	41	41	41
	Nsof kW	1.6	1.9	2.4	2.9	3.4	4.3	5.0	5.7	6.1	6.9
	Nmot kW	2.2	3	3	4	5.5	5.5	7.5	7.5	7.5	11
	Lp(A) sc	<70	72	75	78	81	84	86	87	88	89
	Lp(A) cc	<70	<70	<70	<70	<70	<70	<70	<70	<70	<70
350	Q1 m³/min	1.5	2.1	2.9	3.7	4.5	5.7	6.5	7.3	7.7	8.5
	DT °C	86	74	66	62	58	55	54	53	53	52
	Nsof kW	1.8	2.2	2.7	3.3	3.9	4.9	5.6	6.4	6.8	7.7
	Nmot kW	2.2	3	4	4	5.5	5.5	7.5	7.5	11	11
	Lp(A) sc	70	74	77	80	82	85	87	89	89	91
	Lp(A) cc	<70	<70	<70	<70	<70	<70	<70	<70	<70	<70
400	Q1 m³/min	1.4	2.0	2.8	3.6	4.4	5.6	6.4	7.2	7.6	8.4
	DT °C	119	100	87	80	75	71	69	67	66	65
	Nsof kW	2.1	2.5	3.1	3.7	4.4	5.5	6.3	7.1	7.6	8.5
	Nmot kW	3	3	4	5.5	5.5	7.5	7.5	11	11	11
	Lp(A) sc	72	75	79	81	84	87	89	90	91	92
	Lp(A) cc	<70	<70	<70	<70	<70	<70	<70	<70	<70	<70
450	Q1 m³/min		2.6	3.4	4.2	5.4	6.2	7.0	7.4	8.2	
	DT °C		113	102	96	89	86	84	83	82	
	Nsof kW		3.5	4.2	4.9	6.1	7.0	7.9	8.4	9.4	
	Nmot kW		5.5	5.5	7.5	7.5	11	11	11	11	
	Lp(A) sc		80	83	86	89	90	92	93	94	
	Lp(A) cc		<70	<70	<70	<70	<70	<70	<70	<70	
500	Q1 m³/min		4.0	5.2	6.0	6.8	7.2	8.0	7.2	8.0	
	DT °C		122	113	109	105	104	102			
	Nsof kW		5.4	6.7	7.6	8.6	9.1	10.2			
	Nmot kW		7.5	7.5	11	11	11	15			
	Lp(A) sc		88	91	92	94	95	96			
	Lp(A) cc		<70	<70	<70	<70	<70	<70			
550	Q1 m³/min										
	DT °C										
	Nsof kW										
	Nmot kW										
	Lp(A) sc										
	Lp(A) cc										



RBS 45

Pressure operation

Nsof: Blower absorbed power

Nmot: Advised motor power

Lp(A) sc: Sound pressure level in accordance with ISO 3746 in a free field at 1m without noise enclosure and with sound insulated pipes

Lp(A) cc: Sound pressure level in accordance with ISO 3746 in a free field at 1m with noise enclosure and with sound insulated pipes

Performances related to atmospheric air:
abs. pressure 1,013 mbar
Temperature 20° C
Humidity 50%
Specific weight 1.2 kg/m3

For performances with gases other than atmospheric air or at non-standard conditions contact your Authorized ROBUSCHI representative

Tolerance on performances: in accordance with the Robuschi TE1.S.0015 specification

DP (mbar)	Poles rpm	4						2					
		1500	1800	2200	2600	3000	3600	4000	4400	4600	5000		
300	Q1 m³/min	2,9	3,7	4,8	5,9	7,1	8,7	9,9	11,0	11,5	12,7		
	DT °C	37	34	32	30	30	29	28	28	28	27		
	Nsof kW	2,6	3,2	3,9	4,6	5,3	6,3	7,0	7,7	8,1	8,8		
	Nmot kW	4	4	5,5	5,5	7,5	7,5	11	11	11	11		
	Lp(A) sc	74	77	81	84	86	89	91	92	93	95		
	Lp(A) cc	<70	<70	<70	<70	<70	<70	<70	70	71	73		
400	Q1 m³/min	2,6	3,5	4,6	5,7	6,8	8,5	9,6	10,8	11,3	12,4		
	DT °C	53	48	44	42	41	39	38	38	38	37		
	Nsof kW	3,3	4,0	4,9	5,8	6,7	8,0	8,9	9,8	10,2	11,1		
	Nmot kW	4	5,5	5,5	7,5	7,5	11	11	11	15	15		
	Lp(A) sc	76	79	82	85	88	91	92	94	95	96		
	Lp(A) cc	<70	<70	<70	<70	<70	<70	70	72	73	74		
500	Q1 m³/min	2,5	3,3	4,4	5,5	6,7	8,3	9,5	10,6	11,1	12,3		
	DT °C	71	63	58	54	52	50	49	48	48	47		
	Nsof kW	4,0	4,8	5,9	7,0	8,1	9,7	10,7	11,8	12,3	13,4		
	Nmot kW	5,5	5,5	7,5	11	11	11	15	15	15	15		
	Lp(A) sc	77	80	84	87	89	92	94	96	96	98		
	Lp(A) cc	<70	<70	<70	<70	<70	70	72	74	74	76		
600	Q1 m³/min	2,3	3,1	4,3	5,4	6,5	8,2	9,3	10,4	11,0	12,1		
	DT °C	91	80	72	67	64	61	60	59	58	57		
	Nsof kW	4,7	5,7	6,9	8,2	9,5	11,3	12,6	13,9	14,5	15,8		
	Nmot kW	5,5	7,5	11	11	11	15	15	18,5	18,5	18,5		
	Lp(A) sc	79	82	85	88	90	94	95	97	98	99		
	Lp(A) cc	<70	<70	<70	<70	<70	72	73	75	76	77		
700	Q1 m³/min		3,0	4,1	5,2	6,3	8,0	9,1	10,3	10,8	11,9		
	DT °C		98	87	81	77	73	71	69	69	68		
	Nsof kW		6,5	8,0	9,4	10,9	13,0	14,5	15,9	16,6	18,1		
	Nmot kW		7,5	11	11	15	15	18,5	18,5	22	22		
	Lp(A) sc		83	87	89	92	95	97	98	99	100		
	Lp(A) cc		<70	<70	<70	<70	73	75	76	77	78		
800	Q1 m³/min		4,0	5,1	6,2	7,9	9,0	10,1	10,7	11,8			
	DT °C		103	95	90	85	82	80	80	78			
	Nsof kW		9,0	10,6	12,3	14,7	16,3	18,0	18,8	20,4			
	Nmot kW		11	15	15	18,5	18,5	22	22	30			
	Lp(A) sc		88	91	93	96	98	99	100	102			
	Lp(A) cc		<70	<70	71	74	76	77	78	80			
900	Q1 m³/min		4,9	6,1	7,7	8,9	10,0	10,5	11,7				
	DT °C		110	103	97	94	92	91	89				
	Nsof kW		11,8	13,7	16,4	18,2	20,0	20,9	22,8				
	Nmot kW		15	18,5	18,5	22	30	30	30				
	Lp(A) sc		92	94	97	99	101	101	103				
	Lp(A) cc		<70	72	75	77	79	79	81				
1000	Q1 m³/min					7,6	8,7	9,9	10,4	11,5			
	DT °C					109	106	103	102	100			
	Nsof kW					18,1	20,1	22,1	23,1	25,1			
	Nmot kW					22	30	30	30	30			
	Lp(A) sc					98	100	102	102	104			
	Lp(A) cc					76	78	80	80	82			



RBS 45

Vacuum operation

Nsof: Blower absorbed power

Nmot: Advised motor power

Lp(A) sc: Sound pressure level in accordance with ISO 3746 in a free field at 1m without noise enclosure and with sound insulated pipes

Lp(A) cc: Sound pressure level in accordance with ISO 3746 in a free field at 1m with noise enclosure and with sound insulated pipes

Performances related to atmospheric air:
abs. pressure 1,013 mbar
Temperature 20° C
Humidity 50%
Specific weight 1.2 kg/m3

For performances with gases other than atmospheric air or at non-standard conditions contact your Authorized ROBUSCHI representative

Tolerance on performances: in accordance with the Robuschi TE1.S.0015 specification

DP (mbar)	Poles rpm	4						2					
		1500	1800	2200	2600	3000	3600	4000	4400	4600	5000		
200	Q1 m³/min	3,0	3,8	4,9	6,1	7,2	8,9	10,0	11,1	11,7	12,8		
	DT °C	29	27	26	25	24	23	23	23	23	23		
	Nsof kW	1,9	2,3	2,8	3,3	3,9	4,6	5,1	5,6	5,9	6,4		
	Nmot kW	3	3	4	4	5,5	5,5	7,5	7,5	7,5	7,5		
	Lp(A) sc	73	76	80	83	85	88	90	92	92	94		
	Lp(A) cc	<70	<70	<70	<70	<70	<70	<70	<70	70	72		
250	Q1 m³/min	2,8	3,6	4,7	5,9	7,0	8,7	9,8	10,9	11,5	12,6		
	DT °C	41	38	36	34	33	32	31	31	31	31		
	Nsof kW	2,3	2,7	3,3	3,9	4,6	5,5	6,1	6,7	7,0	7,6		
	Nmot kW	3	4	4	5,5	5,5	7,5	7,5	7,5	11	11		
	Lp(A) sc	75	78	81	84	87	90	91	93	94	95		
	Lp(A) cc	<70	<70	<70	<70	<70	<70	<70	71	72	73		
300	Q1 m³/min	2,6	3,4	4,6	5,7	6,8	8,5	9,6	10,7	11,3	12,4		
	DT °C	57	52	48	45	44	42	41	41	40	40		
	Nsof kW	2,6	3,2	3,9	4,6	5,3	6,3	7,0	7,7	8,1	8,8		
	Nmot kW	4	4	5,5	5,5	7,5	7,5	11	11	11	11		
	Lp(A) sc	76	79	83	86	88	91	93	94	95	97		
	Lp(A) cc	<70	<70	<70	<70	<70	<70	71	72	73	75		
350	Q1 m³/min	2,4	3,2	4,4	5,5	6,6	8,3	9,4	10,5	11,1	12,2		
	DT °C	77	69	62	59	56	54	53	52	51	51		
	Nsof kW	3,0	3,6	4,4	5,2	6,0	7,1	7,9	8,7	9,1	9,9		
	Nmot kW	4	5,5	5,5	7,5	7,5	11	11	11	11	15		
	Lp(A) sc	78	81	84	87	90	93	94	96	97	98		
	Lp(A) cc	<70	<70	<70	<70	<70	71	72	74	75	76		
400	Q1 m³/min	2,2	3,0	4,2	5,3	6,4	8,1	9,2	10,3	10,9	12,0		
	DT °C	104	91	81	75	72	68	67	65	65	64		
	Nsof kW	3,3	4,0	4,9	5,8	6,7	8,0	8,9	9,8	10,2	11,1		
	Nmot kW	4	5,5	5,5	7,5	7,5	11	11	11	15	15		
	Lp(A) sc	80	83	86	89	91	94	96	98	98	100		
	Lp(A) cc	<70	<70	<70	<70	<70	72	74	76	76	78		
450	Q1 m³/min			3,9	5,1	6,2	7,9	9,0	10,1	10,7	11,8		
	DT °C			104	96	91	86	83	82	81	79		
	Nsof kW			5,4	6,4	7,4	8,8	9,8	10,8	11,3	12,3		
	Nmot kW			7,5	7,5	11	11	11	15	15	15		
	Lp(A) sc			88	91	93	96	98	100	100	102		
	Lp(A) cc			<70	<70	71	74	76	78	78	80		
500	Q1 m³/min					7,6	8,8	9,9	10,4	11,6			
	DT °C					108	104	102	101	99			
	Nsof kW					9,7	10,7	11,8	12,3	13,4			
	Nmot kW					11	15	15	15	15			
	Lp(A) sc					98	100	102	102	104			
	Lp(A) cc					76	78	80	80	82			
550	Q1 m³/min												
	DT °C												
	Nsof kW												
	Nmot kW												
	Lp(A) sc												
	Lp(A) cc												

RBS 46

Pressure operation

Nsof: Blower absorbed power

Nmot: Advised motor power

Lp(A) sc: Sound pressure level in accordance with ISO 3746 in a free field at 1m without noise enclosure and with sound insulated pipes

Lp(A) cc: Sound pressure level in accordance with ISO 3746 in a free field at 1m with noise enclosure and with sound insulated pipes

Performances related to atmospheric air:
abs. pressure 1,013 mbar
Temperature 20° C
Humidity 50%
Specific weight 1.2 kg/m3

For performances with gases other than atmospheric air or at non-standard conditions contact your Authorized ROBUSCHI representative

Tolerance on performances: in accordance with the Robuschi TE1.S.0015 specification

DP (mbar)	Poles rpm	4					2				
		1500	1800	2200	2600	3000	3600	4000	4400	4600	5000
300	Q1 m³/min	4,6	5,8	7,5	9,1	10,8	13,2	14,9	16,6	17,4	19,0
	DT °C	34	32	30	29	29	28	27	27	27	27
	Nsof kW	3,5	4,3	5,5	6,7	7,9	9,9	11,3	12,8	13,5	15,1
	Nmot kW	5,5	5,5	7,5	7,5	11	15	15	15	18,5	18,5
	Lp(A) sc	77	80	84	86	89	92	94	95	96	97
	Lp(A) cc	<70	<70	<70	<70	<70	<70	72	73	74	75
400	Q1 m³/min	4,3	5,6	7,2	8,9	10,5	13,0	14,7	16,3	17,1	18,8
	DT °C	47	44	42	40	39	38	37	37	37	36
	Nsof kW	4,6	5,6	7,0	8,4	10,0	12,4	14,1	15,8	16,7	18,5
	Nmot kW	5,5	7,5	11	11	15	15	18,5	22	22	22
	Lp(A) sc	79	82	85	88	90	93	95	97	98	99
	Lp(A) cc	<70	<70	<70	<70	<70	71	73	75	76	77
500	Q1 m³/min	4,1	5,3	7,0	6,6	10,3	12,8	14,4	16,1	16,9	18,6
	DT °C	62	57	54	51	50	48	47	47	46	46
	Nsof kW	5,6	6,8	8,5	10,2	12,0	14,9	16,8	18,8	19,9	22,0
	Nmot kW	7,5	11	11	15	15	18,5	22	22	30	30
	Lp(A) sc	80	83	86	89	92	95	97	98	99	100
	Lp(A) cc	<70	<70	<70	<70	<70	73	75	76	77	78
600	Q1 m³/min	3,9	5,1	6,8	8,4	10,1	12,6	14,2	15,9	16,7	18,4
	DT °C	79	72	66	63	61	59	58	57	56	56
	Nsof kW	6,6	8,0	10,0	12,0	14,1	17,3	19,6	21,9	23,0	25,4
	Nmot kW	7,5	11	15	15	18,5	22	22	30	30	30
	Lp(A) sc	81	84	88	91	93	96	98	100	100	102
	Lp(A) cc	<70	<70	<70	<70	71	74	76	78	78	80
700	Q1 m³/min		5,0	6,6	8,3	9,9	12,4	14,0	15,7	16,5	18,2
	DT °C		87	79	75	72	69	68	67	66	66
	Nsof kW		9,3	11,5	13,8	16,2	19,8	22,3	24,9	26,2	28,8
	Nmot kW		11	15	18,5	18,5	30	30	30	30	37
	Lp(A) sc		86	89	92	94	97	99	101	102	103
	Lp(A) cc		<70	<70	<70	<70	72	75	77	79	80
800	Q1 m³/min										
	DT °C										
	Nsof kW										
	Nmot kW										
	Lp(A) sc										
	Lp(A) cc										
900	Q1 m³/min										
	DT °C										
	Nsof kW										
	Nmot kW										
	Lp(A) sc										
	Lp(A) cc										
1000	Q1 m³/min										
	DT °C										
	Nsof kW										
	Nmot kW										
	Lp(A) sc										
	Lp(A) cc										

RBS 46

Vacuum operation

Nsof: Blower absorbed power

Nmot: Advised motor power

Lp(A) sc: Sound pressure level in accordance with ISO 3746 in a free field at 1m without noise enclosure and with sound insulated pipes

Lp(A) cc: Sound pressure level in accordance with ISO 3746 in a free field at 1m with noise enclosure and with sound insulated pipes

Performances related to atmospheric air:
abs. pressure 1,013 mbar
Temperature 20° C
Humidity 50%
Specific weight 1.2 kg/m3

For performances with gases other than atmospheric air or at non-standard conditions contact your Authorized ROBUSCHI representative

Tolerance on performances: in accordance with the Robuschi TE1.S.0015 specification

DP (mbar)	Poles rpm	4					2				
		1500	1800	2200	2600	3000	3600	4000	4400	4600	5000
200	Q1 m³/min	4,7	6,0	7,6	9,3	10,9	13,4	15,0	16,7	17,5	19,2
	DT °C	27	26	25	24	23	23	23	22	22	22
	Nsof kW	2,5	3,1	3,9	4,9	5,8	7,4	8,5	9,7	10,4	11,6
	Nmot kW	3	4	5,5	5,5	7,5	11	11	11	15	15
	Lp(A) sc	76	79	83	86	88	91	93	94	95	97
	Lp(A) cc	<70	<70	<70	<70	<70	<70	71	72	73	75
250	Q1 m³/min	4,5	5,7	7,4	9,0	10,7	13,2	14,8	16,5	17,3	18,9
	DT °C	38	36	34	33	32	31	31	30	30	30
	Nsof kW	3,0	3,7	4,7	5,8	6,9	8,7	9,9	11,3	11,9	13,4
	Nmot kW	4	5,5	5,5	7,5	11	11	15	15	15	15
	Lp(A) sc	78	81	84	87	89	92	94	96	96	98
	Lp(A) cc	<70	<70	<70	<70	<70	70	72	74	74	76
300	Q1 m³/min	4,3	5,5	7,2	8,8	10,5	12,9	14,6	16,2	17,1	18,7
	DT °C	51	48	45	43	42	40	40	39	39	39
	Nsof kW	3,5	4,3	5,5	6,7	7,9	9,9	11,3	12,8	13,5	15,1
	Nmot kW	5,5	5,5	7,5	7,5	11	15	15	15	18,5	18,5
	Lp(A) sc	79	82	85	88	91	94	96	97	98	99
	Lp(A) cc	<70	<70	<70	<70	<70	72	74	75	76	77
350	Q1 m³/min	4,0	5,3	6,9	8,6	10,2	12,7	14,4	16,0	16,8	18,5
	DT °C	68	62	58	55	54	52	51	50	50	49
	Nsof kW	4,0	5,0	6,2	7,5	8,9	11,1	12,7	14,3	15,1	16,8
	Nmot kW	5,5	7,5	7,5	11	11	15	15	18,5	18,5	22
	Lp(A) sc	80	84	87	90	92	95	97	99	99	101
	Lp(A) cc	<70	<70	<70	<70	70	73	75	77	77	79
400	Q1 m³/min	3,8	5,0	6,7	8,3	10,0	12,5	14,1	15,8	16,6	18,2
	DT °C	89	81	74	70	68	65	64	63	63	62
	Nsof kW	4,6	5,6	7,0	8,4	10,0	12,4	14,1	15,8	16,7	18,5
	Nmot kW	5,5	7,5	11	11	15	15	18,5	22	22	22
	Lp(A) sc	82	85	89	91	94	97	99	100	101	102
	Lp(A) cc	<70	<70	<70	<70	72	75	77	78	79	80
450	Q1 m³/min				8,1	9,7	12,2	13,2	15,5	16,3	18,0
	DT °C				89	85	81	80	78	78	77
	Nsof kW				9,3	11,0	13,6	15,4	17,3	18,3	20,2
	Nmot kW				11	15	18,5	18,5	22	22	30
	Lp(A) sc				93	96	99	100	102	103	104
	Lp(A) cc				71	74	77	78	80	81	82
500	Q1 m³/min										
	DT °C										
	Nsof kW										
	Nmot kW										
	Lp(A) sc										
	Lp(A) cc										
550	Q1 m³/min										
	DT °C										
	Nsof kW										
	Nmot kW										
	Lp(A) sc										
	Lp(A) cc										



RBS 55

Pressure operation

Nsof: Blower absorbed power

Nmot: Advised motor power

Lp(A) sc: Sound pressure level in accordance with ISO 3746 in a free field at 1m without noise enclosure and with sound insulated pipes

Lp(A) cc: Sound pressure level in accordance with ISO 3746 in a free field at 1m with noise enclosure and with sound insulated pipes

Performances related to atmospheric air:
abs. pressure 1,013 mbar
Temperature 20° C
Humidity 50%
Specific weight 1.2 kg/m3

For performances with gases other than atmospheric air or at non-standard conditions contact your Authorized ROBUSCHI representative

Tolerance on performances: in accordance with the Robuschi TE1.S.0015 specification

DP (mbar)	Poles rpm	4				2					
		1500	1800	2200	2600	3000	3600	4000	4400	4600	4800
300	Q1 m³/min	4,7	5,9	7,5	9,2	10,8	13,2	14,9	16,5	17,3	18,1
	DT °C	32	31	30	29	28	27	27	27	27	27
	Nsof kW	3,2	3,9	4,9	6,0	7,2	9,2	10,7	12,4	13,3	14,2
	Nmot kW	4	5,5	5,5	7,5	11	11	15	15	15	18,5
	Lp(A) sc	72	75	79	83	85	89	91	93	94	95
	Lp(A) cc	<70	<70	<70	<70	<70	<70	<70	<70	71	72
400	Q1 m³/min	4,5	5,7	7,3	8,9	10,8	13,0	14,7	16,3	17,1	17,9
	DT °C	45	43	41	39	38	37	37	36	36	36
	Nsof kW	4,2	5,1	6,4	7,8	9,2	11,7	13,4	15,4	16,4	17,5
	Nmot kW	5,5	7,5	7,5	11	11	15	15	18,5	18,5	22
	Lp(A) sc	73	77	81	84	87	91	93	94	95	96
	Lp(A) cc	<70	<70	<70	<70	<70	<70	71	72	73	74
500	Q1 m³/min	4,3	5,5	7,1	8,8	10,4	12,8	14,5	16,1	16,9	17,7
	DT °C	59	55	52	50	49	47	47	46	46	46
	Nsof kW	5,2	6,4	7,9	9,5	11,3	14,1	16,2	18,4	19,5	20,7
	Nmot kW	7,5	7,5	11	11	15	18,5	18,5	22	22	30
	Lp(A) sc	75	78	82	86	88	92	94	96	97	98
	Lp(A) cc	<70	<70	<70	<70	<70	<70	72	74	75	76
600	Q1 m³/min	4,1	5,3	6,9	8,6	10,2	12,7	14,3	15,9	16,7	17,5
	DT °C	74	69	64	61	59	58	57	56	56	55
	Nsof kW	6,3	7,6	9,4	11,3	13,3	16,6	18,9	21,4	22,7	24,0
	Nmot kW	7,5	11	11	15	15	18,5	22	30	30	30
	Lp(A) sc	76	80	84	87	90	93	95	97	98	99
	Lp(A) cc	<70	<70	<70	<70	<70	71	73	75	76	77
700	Q1 m³/min	3,9	5,1	6,8	8,4	10,0	12,5	14,1	15,8	16,6	17,4
	DT °C	90	83	77	73	71	68	67	66	66	65
	Nsof kW	7,3	8,8	10,9	13,1	15,4	19,0	21,6	24,4	25,8	27,3
	Nmot kW	11	11	15	15	18,5	22	30	30	30	37
	Lp(A) sc	77	81	85	88	91	95	97	98	99	100
	Lp(A) cc	<70	<70	<70	<70	<70	73	75	76	77	78
800	Q1 m³/min	3,8	5,0	6,6	8,3	9,9	12,3	14,0	15,6	16,4	17,2
	DT °C	107	97	90	85	82	79	77	76	76	75
	Nsof kW	8,3	10,0	12,4	14,8	17,4	21,5	24,3	27,3	28,9	30,5
	Nmot kW	11	15	15	18,5	22	30	30	37	37	37
	Lp(A) sc	79	82	86	89	92	96	98	100	101	101
	Lp(A) cc	<70	<70	<70	<70	70	74	76	78	79	79
900	Q1 m³/min	3,6	4,9	6,5	8,1	9,7	12,2	13,8	15,5	16,3	17,1
	DT °C	125	113	103	97	93	90	88	86	86	85
	Nsof kW	9,3	11,2	13,9	16,6	19,4	23,9	27,0	30,3	32,0	33,8
	Nmot kW	11	15	18,5	18,5	22	30	37	37	37	45
	Lp(A) sc	80	83	87	90	93	97	99	101	102	102
	Lp(A) cc	<70	<70	<70	<70	71	75	77	79	80	80
1000	Q1 m³/min	4,7	6,3	8,0	9,6	12,1	13,7	15,3	16,1	17,0	
	DT °C	129	117	110	105	101	98	97	96	95	
	Nsof kW	12,5	15,4	18,4	21,5	26,3	29,8	33,3	35,2	37,1	
	Nmot kW	15	18,5	22	30	30	37	37	45	45	
	Lp(A) sc	84	88	92	94	98	100	102	103	104	
	Lp(A) cc	<70	<70	<70	<70	72	76	78	80	81	82



RBS 55

Vacuum operation

Nsof: Blower absorbed power

Nmot: Advised motor power

Lp(A) sc: Sound pressure level in accordance with ISO 3746 in a free field at 1m without noise enclosure and with sound insulated pipes

Lp(A) cc: Sound pressure level in accordance with ISO 3746 in a free field at 1m with noise enclosure and with sound insulated pipes

Performances related to atmospheric air:
abs. pressure 1,013 mbar
Temperature 20° C
Humidity 50%
Specific weight 1.2 kg/m3

For performances with gases other than atmospheric air or at non-standard conditions contact your Authorized ROBUSCHI representative

Tolerance on performances: in accordance with the Robuschi TE1.S.0015 specification

DP (mbar)	Poles rpm	4				2					
		1500	1800	2200	2600	3000	3600	4000	4400	4600	4800
200	Q1 m³/min	4,8	6,0	7,6	9,3	10,9	13,3	15,0	16,6	17,4	18,2
	DT °C	26	25	24	24	23	23	22	22	22	22
	Nsof kW	2,2	2,7	3,4	4,2	5,2	6,8	8,0	9,4	10,1	10,9
	Nmot kW	3	4	5,5	5,5	7,5	11	11	15	15	15
	Lp(A) sc	71	75	79	82	85	88	90	92	93	94
	Lp(A) cc	<70	<70	<70	<70	<70	<70	<70	70	71	72
250	Q1 m³/min	4,6	5,8	7,4	9,1	10,7	13,1	14,8	16,4	17,2	18,0
	DT °C	36	35	33	32	31	31	30	30	30	30
	Nsof kW	2,7	3,3	4,2	5,1	6,2	8,0	9,3	10,9	11,7	12,6
	Nmot kW	4	4	5,5	7,5	7,5	11	11	15	15	15
	Lp(A) sc	72	76	80	83	86	89	92	93	94	95
	Lp(A) cc	<70	<70	<70	<70	<70	<70	<70	71	72	73
300	Q1 m³/min	4,4	5,6	7,2	8,9	10,5	12,9	14,6	16,2	17,0	17,8
	DT °C	49	46	44	42	41	40	39	39	39	39
	Nsof kW	3,2	3,9	4,9	6,0	7,2	9,2	10,7	12,4	13,3	14,2
	Nmot kW	4	5,5	5,5	7,5	11	11	15	15	15	18,5
	Lp(A) sc	74	77	81	85	87	91	93	95	96	97
	Lp(A) cc	<70	<70	<70	<70	<70	<70	71	73	74	75
350	Q1 m³/min	4,2	5,4	7,0	8,7	10,3	12,7	14,4	16,0	16,8	17,6
	DT °C	64	60	56	54	52	51	50	50	49	49
	Nsof kW	3,7	4,5	5,6	6,9	8,2	10,4	12,1	13,9	14,8	15,8
	Nmot kW	5,5	5,5	7,5	11	11	15	15	18,5	18,5	18,5
	Lp(A) sc	75	79	83	86	89	92	94	96	97	98
	Lp(A) cc	<70	<70	<70	<70	<70	70	72	74	75	76
400	Q1 m³/min	4,0	5,2	6,8	8,4	10,1	12,5	14,1	15,8	16,6	17,4
	DT °C	84	77	72	68	66	64	63	62	62	61
	Nsof kW	4,2	5,1	6,4	7,8	9,2	11,6	13,4	15,3	16,4	17,4
	Nmot kW	5,5	7,5	7,5	11	11	15	15	18,5	18,5	22
	Lp(A) sc	77	81	84	88	90	94	96	98	99	100
	Lp(A) cc	<70	<70	<70	<70	<70	72	74	76	77	78
450	Q1 m³/min	3,7	5,0	6,6	8,2	9,8	12,3	13,9	15,5	16,4	17,2
	DT °C	109	99	91	86	83	80	78	77	77	76
	Nsof kW	4,7	5,7	7,1	8,6	10,2	12,9	14,8	16,8	17,9	19,1
	Nmot kW	5,5	7,5	11	11	15	15	18,5	22	22	22
	Lp(A) sc	79	82	86	89	92	96	98	100	101	101
	Lp(A) cc	<70	<70	<70	<70	70	74	76	78	79	79
500	Q1 m³/min	4,7	6,3	8,0	9,6	12,0	13,7	15,3	16,1	16,9	
	DT °C	127	115	108	104	99	97	96	95	94	
	Nsof kW	6,3	7,9	9,5	11,3	14,1	16,1	18,3	19,5	20,7	
	Nmot kW	7,5	11	11	15	18,5	18,5	22	22	30	
	Lp(A) sc	84	88	91	94	98	100	102	103	103	
	Lp(A) cc	<70	<70	<70	<70	72	76	78	80	81	81
550	Q1 m³/min										
	DT °C										
	Nsof kW										
	Nmot kW										
	Lp(A) sc										
	Lp(A) cc										

RBS 65

Pressure operation

Nsof: Blower absorbed power

Nmot: Advised motor power

Lp(A) sc: Sound pressure level in accordance with ISO 3746 in a free field at 1m without noise enclosure and with sound insulated pipes

Lp(A) cc: Sound pressure level in accordance with ISO 3746 in a free field at 1m with noise enclosure and with sound insulated pipes

Performances related to atmospheric air:
abs. pressure 1,013 mbar
Temperature 20° C
Humidity 50%
Specific weight 1.2 kg/m3

For performances with gases other than atmospheric air or at non-standard conditions contact your Authorized ROBUSCHI representative

Tolerance on performances: in accordance with the Robuschi TE1.S.0015 specification

DP (mbar)	Poles rpm	4				2					
		1500	1800	2200	2600	3000	3600	4000	4400	4600	4800
300	Q1 m³/min	6.4	8.0	10.2	12.3	14.5	17.7	19.9	22.1	23.1	24.2
	DT °C	31	30	29	28	28	27	27	27	27	27
	Nsof kW	4.2	5.2	6.5	7.9	9.5	12.1	14.0	16.1	17.3	18.5
	Nmot kW	5.5	7.5	7.5	11	11	15	18.5	18.5	22	22
	Lp(A) sc	75	78	82	86	88	92	94	96	97	98
	Lp(A) cc	<70	<70	<70	<70	<70	<70	72	74	75	76
400	Q1 m³/min	6.1	7.7	9.9	12.1	14.2	17.5	19.6	21.8	22.9	23.9
	DT °C	44	41	40	38	38	37	36	36	36	36
	Nsof kW	5.6	6.8	8.5	10.2	12.2	15.3	17.6	20.1	21.4	22.8
	Nmot kW	7.5	11	11	15	15	18.5	22	30	30	30
	Lp(A) sc	76	80	84	87	90	94	96	97	98	99
	Lp(A) cc	<70	<70	<70	<70	<70	72	74	75	76	77
500	Q1 m³/min	5.9	7.5	9.7	11.8	14.0	17.2	19.4	21.6	22.6	23.7
	DT °C	57	53	51	49	48	47	46	46	45	45
	Nsof kW	6.9	8.4	10.4	12.6	14.9	18.5	21.2	24.1	25.6	27.1
	Nmot kW	11	11	15	15	18.5	22	30	30	30	37
	Lp(A) sc	78	81	85	89	91	95	97	99	100	101
	Lp(A) cc	<70	<70	<70	<70	<70	73	75	77	78	79
600	Q1 m³/min	5.7	7.3	9.5	11.6	13.8	17.0	19.2	21.3	22.4	23.5
	DT °C	71	66	62	60	58	57	56	55	55	55
	Nsof kW	8.3	10.0	12.4	14.9	17.6	21.8	24.8	28.0	29.7	31.4
	Nmot kW	11	15	15	18.5	22	30	30	37	37	37
	Lp(A) sc	79	83	87	90	93	96	98	100	101	102
	Lp(A) cc	<70	<70	<70	<70	71	74	76	78	79	80
700	Q1 m³/min	5.5	7.1	9.3	11.4	13.6	16.8	19.0	21.2	22.2	23.3
	DT °C	85	79	74	71	69	67	66	65	65	64
	Nsof kW	9.6	11.6	14.4	17.3	20.3	25.0	28.4	32.0	33.8	35.8
	Nmot kW	11	15	18.5	22	30	30	37	37	45	45
	Lp(A) sc	80	84	88	91	94	98	100	101	102	103
	Lp(A) cc	<70	<70	<70	<70	72	76	78	79	80	81
800	Q1 m³/min	5.3	6.9	9.1	11.3	13.4	16.7	18.8	21.0	22.1	23.1
	DT °C	101	93	86	83	80	77	76	75	74	74
	Nsof kW	11.0	13.3	16.4	19.6	23.0	28.3	32.0	35.9	38.0	40.1
	Nmot kW	15	15	18.5	22	30	37	37	45	45	45
	Lp(A) sc	82	85	89	92	95	99	101	103	104	104
	Lp(A) cc	<70	<70	<70	70	73	77	79	81	82	82
900	Q1 m³/min	6.8	8.9	11.1	13.2	16.5	18.6	20.8	21.9	23.0	
	DT °C	107	99	94	91	88	86	85	84	84	
	Nsof kW	14.9	18.4	21.9	25.7	31.5	35.6	39.9	42.1	44.4	
	Nmot kW	18.5	22	30	30	37	45	45	55	55	
	Lp(A) sc	86	90	93	96	100	102	104	105	105	
	Lp(A) cc	<70	<70	71	74	78	80	82	83	83	
1000	Q1 m³/min	10.9	13.1	16.3	18.5	20.6	21.7	22.8			
	DT °C	106	102	98	97	95	95	94			
	Nsof kW	24.3	28.4	34.7	39.2	43.9	46.3	48.7			
	Nmot kW	30	37	45	45	55	55	55			
	Lp(A) sc	95	97	101	103	105	106	107			
	Lp(A) cc	73	75	79	81	83	84	85			

RBS 65

Vacuum operation

Nsof: Blower absorbed power

Nmot: Advised motor power

Lp(A) sc: Sound pressure level in accordance with ISO 3746 in a free field at 1m without noise enclosure and with sound insulated pipes

Lp(A) cc: Sound pressure level in accordance with ISO 3746 in a free field at 1m with noise enclosure and with sound insulated pipes

Performances related to atmospheric air:
abs. pressure 1,013 mbar
Temperature 20° C
Humidity 50%
Specific weight 1.2 kg/m3

For performances with gases other than atmospheric air or at non-standard conditions contact your Authorized ROBUSCHI representative

Tolerance on performances: in accordance with the Robuschi TE1.S.0015 specification

DP (mbar)	Poles rpm	4				2					
		1500	1800	2200	2600	3000	3600	4000	4400	4600	4800
200	Q1 m³/min	6.5	8.2	10.3	12.5	14.6	17.9	20.0	22.2	23.3	24.4
	DT °C	25	25	24	23	23	22	22	22	22	22
	Nsof kW	2.9	3.5	4.5	5.6	6.8	8.8	10.4	12.2	13.1	14.2
	Nmot kW	4	5.5	5.5	7.5	11	11	15	15	15	18.5
	Lp(A) sc	74	78	82	85	88	91	93	95	96	97
	Lp(A) cc	<70	<70	<70	<70	<70	<70	71	73	74	75
250	Q1 m³/min	6.3	7.9	10.1	12.2	14.4	17.6	19.8	22.0	23.0	24.1
	DT °C	35	34	32	31	31	30	30	30	30	29
	Nsof kW	3.5	4.3	5.5	6.7	8.1	10.4	12.2	14.2	15.2	16.3
	Nmot kW	5.5	5.5	7.5	7.5	11	15	15	18.5	18.5	18.5
	Lp(A) sc	75	79	83	86	89	92	95	96	97	98
	Lp(A) cc	<70	<70	<70	<70	<70	<70	70	73	74	75
300	Q1 m³/min	6.1	7.7	9.8	12.0	14.2	17.4	19.6	21.7	22.8	23.9
	DT °C	47	45	43	41	40	39	39	39	38	38
	Nsof kW	4.2	5.2	6.5	7.9	9.5	12.1	14.0	16.1	17.3	18.5
	Nmot kW	5.5	7.5	7.5	11	11	15	18.5	18.5	22	22
	Lp(A) sc	77	80	84	88	90	94	96	98	99	100
	Lp(A) cc	<70	<70	<70	<70	<70	72	74	76	77	78
350	Q1 m³/min	5.8	7.4	9.6	11.8	13.9	17.2	19.3	21.5	22.6	23.6
	DT °C	62	58	55	53	51	50	49	49	49	48
	Nsof kW	4.9	6.0	7.5	9.1	10.8	13.7	15.8	18.1	19.4	20.6
	Nmot kW	5.5	7.5	11	11	15	18.5	18.5	22	22	30
	Lp(A) sc	78	82	86	89	92	95	97	99	100	101
	Lp(A) cc	<70	<70	<70	<70	<70	73	75	77	78	79
400	Q1 m³/min	5.6	7.2	9.3	11.5	13.7	16.9	19.1	21.2	22.3	23.4
	DT °C	80	74	69	67	65	63	62	61	61	61
	Nsof kW	5.6	6.8	8.5	10.2	12.2	15.3	17.6	20.1	21.4	22.8
	Nmot kW	7.5	11	11	15	15	18.5	22	30	30	30
	Lp(A) sc	80	84	87	91	93	97	99	101	102	103
	Lp(A) cc	<70	<70	<70	<70	71	75	77	79	80	81
450	Q1 m³/min	5.3	6.9	9.1	11.2	13.4	16.6	18.8	21.0	22.0	23.1
	DT °C	102	94	88	84	81	78	77	76	75	75
	Nsof kW	6.2	7.6	9.4	11.4	13.5	16.9	19.4	22.1	23.5	25.0
	Nmot kW	7.5	11	11	15	18.5	22	22	30	30	30
	Lp(A) sc	82	85	89	92	95	99	101	103	104	104
	Lp(A) cc	<70	<70	<70	70	73	77	79	81	82	82
500	Q1 m³/min	10.9	13.1	16.3	18.5	20.6	21.7	22.8			
	DT °C	105	101	97	95	95	94	93			
	Nsof kW	24.3	28.4	34.7	39.2	43.9	46.3	48.7			
	Nmot kW	30	37	45	45	55	55	55			
	Lp(A) sc	94	97	101	103	105	106	107			
	Lp(A) cc	72	75	79	81	83	84	85			
550	Q1 m³/min										
	DT °C										
	Nsof kW										
	Nmot kW										
	Lp(A) sc										
	Lp(A) cc										



RBS 66

Pressure operation

Nsof: Blower absorbed power

Nmot: Advised motor power

Lp(A) sc: Sound pressure level in accordance with ISO 3746 in a free field at 1m without noise enclosure and with sound insulated pipes

Lp(A) cc: Sound pressure level in accordance with ISO 3746 in a free field at 1m with noise enclosure and with sound insulated pipes

Performances related to atmospheric air:
abs. pressure 1,013 mbar
Temperature 20° C
Humidity 50%
Specific weight 1.2 kg/m3

For performances with gases other than atmospheric air or at non-standard conditions contact your Authorized ROBUSCHI representative

Tolerance on performances: in accordance with the Robuschi TE1.S.0015 specification

DP (mbar)	Poles rpm	4				2					
		1500	1800	2200	2600	3000	3600	4000	4400	4600	4800
300	Q1 m³/min	8,6	10,9	14,0	17,1	20,2	24,8	27,9	31,0	32,5	34,0
	DT °C	33	32	30	29	28	28	27	27	27	27
	Nsof kW	6,0	7,3	9,1	11,1	13,2	16,7	19,3	22,1	23,6	25,1
	Nmot kW	7,5	11	11	15	15	22	22	30	30	30
	Lp(A) sc	78	81	85	89	91	95	97	99	100	101
	Lp(A) cc	<70	<70	<70	<70	<70	73	75	77	78	79
400	Q1 m³/min	8,1	10,5	13,5	16,6	19,7	24,3	27,4	30,5	32,0	33,6
	DT °C	47	44	41	40	39	38	37	37	37	36
	Nsof kW	7,9	9,6	11,9	14,4	17,0	21,3	24,4	27,7	29,5	31,3
	Nmot kW	11	11	15	18,5	22	30	30	37	37	37
	Lp(A) sc	79	83	87	90	93	97	99	100	101	102
	Lp(A) cc	<70	<70	<70	<70	71	75	77	78	79	80
500	Q1 m³/min	7,7	10,0	13,1	16,2	19,3	23,9	27,0	30,1	31,6	33,2
	DT °C	62	57	53	51	50	48	47	47	46	46
	Nsof kW	9,8	11,9	14,8	17,8	20,9	25,9	29,5	33,4	35,4	37,5
	Nmot kW	11	15	18,5	22	30	30	37	45	45	45
	Lp(A) sc	81	84	88	92	94	98	100	102	103	104
	Lp(A) cc	<70	<70	<70	<70	72	76	78	80	81	82
600	Q1 m³/min	7,4	9,7	12,8	15,9	18,9	23,6	26,6	29,7	31,3	32,8
	DT °C	78	71	66	63	61	58	57	57	56	56
	Nsof kW	11,8	14,2	17,6	21,1	24,8	30,6	34,7	39,0	41,3	43,6
	Nmot kW	15	18,5	22	30	30	37	45	45	55	55
	Lp(A) sc	82	86	90	93	96	99	101	103	104	105
	Lp(A) cc	<70	<70	<70	71	74	77	79	81	82	83
700	Q1 m³/min		9,3	12,4	15,5	18,6	23,2	26,3	29,4	30,9	32,5
	DT °C		86	79	75	72	69	68	67	66	66
	Nsof kW		16,5	20,4	24,4	28,6	35,2	39,8	44,7	47,2	49,8
	Nmot kW		18,5	30	30	37	45	45	55	55	75
	Lp(A) sc		87	91	94	97	101	103	104	105	106
	Lp(A) cc		<70	<70	72	75	79	81	82	83	84
800	Q1 m³/min										
	DT °C										
	Nsof kW										
	Nmot kW										
	Lp(A) sc										
	Lp(A) cc										
900	Q1 m³/min										
	DT °C										
	Nsof kW										
	Nmot kW										
	Lp(A) sc										
	Lp(A) cc										
1000	Q1 m³/min										
	DT °C										
	Nsof kW										
	Nmot kW										
	Lp(A) sc										
	Lp(A) cc										



RBS 66

Vacuum operation

Nsof: Blower absorbed power

Nmot: Advised motor power

Lp(A) sc: Sound pressure level in accordance with ISO 3746 in a free field at 1m without noise enclosure and with sound insulated pipes

Lp(A) cc: Sound pressure level in accordance with ISO 3746 in a free field at 1m with noise enclosure and with sound insulated pipes

Performances related to atmospheric air:
abs. pressure 1,013 mbar
Temperature 20° C
Humidity 50%
Specific weight 1.2 kg/m3

For performances with gases other than atmospheric air or at non-standard conditions contact your Authorized ROBUSCHI representative

Tolerance on performances: in accordance with the Robuschi TE1.S.0015 specification

DP (mbar)	Poles rpm	4				2					
		1500	1800	2200	2600	3000	3600	4000	4400	4600	4800
200	Q1 m³/min	8,9	11,2	14,3	17,3	20,4	25,1	28,1	31,2	32,8	34,3
	DT °C	27	26	24	24	23	23	23	22	22	22
	Nsof kW	4,1	5,0	6,3	7,7	9,3	12,1	14,1	16,4	17,7	19,0
	Nmot kW	5,5	7,5	7,5	11	11	15	18,5	22	22	22
	Lp(A) sc	77	81	85	88	91	94	96	98	99	100
	Lp(A) cc	<70	<70	<70	<70	<70	72	74	76	77	78
250	Q1 m³/min	8,4	10,8	13,8	16,9	20,0	24,6	27,7	30,8	32,3	33,9
	DT °C	38	35	34	32	32	31	31	30	30	30
	Nsof kW	5,0	6,1	7,7	9,4	11,3	14,4	16,7	19,2	20,6	22,1
	Nmot kW	7,5	7,5	11	11	15	18,5	22	22	30	30
	Lp(A) sc	78	82	86	89	92	95	98	99	100	101
	Lp(A) cc	<70	<70	<70	<70	<70	73	76	77	78	79
300	Q1 m³/min	8,0	10,3	13,4	16,5	19,6	24,2	27,3	30,4	31,9	33,5
	DT °C	51	47	45	43	42	40	40	39	39	39
	Nsof kW	6,0	7,3	9,1	11,1	13,2	16,7	19,3	22,1	23,6	25,1
	Nmot kW	7,5	11	11	15	15	22	22	30	30	30
	Lp(A) sc	80	83	87	91	93	97	99	101	102	103
	Lp(A) cc	<70	<70	<70	<70	71	75	77	79	80	81
350	Q1 m³/min	7,6	9,9	13,0	16,1	19,2	23,8	26,9	30,0	31,5	33,0
	DT °C	67	62	58	55	53	52	51	50	50	49
	Nsof kW	6,9	8,4	10,5	12,7	15,1	19,0	21,8	24,9	26,5	28,2
	Nmot kW	11	11	15	15	18,5	22	30	30	30	37
	Lp(A) sc	81	85	89	92	95	98	100	102	103	104
	Lp(A) cc	<70	<70	<70	70	73	76	78	80	81	82
400	Q1 m³/min	7,2	9,5	12,6	15,6	18,7	23,4	26,4	29,5	31,1	32,6
	DT °C	88	80	74	70	67	65	64	63	62	62
	Nsof kW	7,9	9,6	11,9	14,4	17,0	21,3	24,4	27,7	29,5	31,3
	Nmot kW	11	11	15	18,5	22	30	30	37	37	37
	Lp(A) sc	83	87	90	94	96	100	102	104	105	106
	Lp(A) cc	<70	<70	<70	72	74	78	80	82	83	84
450	Q1 m³/min				15,2	18,3	22,9	26,0	29,1	30,6	32,1
	DT °C				88	85	81	79	78	78	77
	Nsof kW				16,1	19,0	23,6	27,0	30,6	32,4	34,4
	Nmot kW				18,5	22	30	37	37	37	45
	Lp(A) sc				95	98	102	104	106	107	107
	Lp(A) cc				73	76	80	82	84	85	85
500	Q1 m³/min										
	DT °C										
	Nsof kW										
	Nmot kW										
	Lp(A) sc										
	Lp(A) cc										
550	Q1 m³/min										
	DT °C										
	Nsof kW										
	Nmot kW										
	Lp(A) sc										
	Lp(A) cc										

RBS 75

Pressure operation

Nsof: Blower absorbed power

Nmot: Advised motor power

Lp(A) sc: Sound pressure level in accordance with ISO 3746 in a free field at 1m without noise enclosure and with sound insulated pipes

Lp(A) cc: Sound pressure level in accordance with ISO 3746 in a free field at 1m with noise enclosure and with sound insulated pipes

Performances related to atmospheric air:
abs. pressure 1,013 mbar
Temperature 20° C
Humidity 50%
Specific weight 1.2 kg/m3

For performances with gases other than atmospheric air or at non-standard conditions contact your Authorized ROBUSCHI representative

Tolerance on performances: in accordance with the Robuschi TE1.S.0015 specification

DP (mbar)	Poles rpm	4					2					
		1500	1800	2200	2600	2800	3000	3200	3400	3600	3800	
300	Q1 m³/min	9.8	12.3	15.5	18.8	20.4	22.0	23.6	25.3	26.9	28.5	
	DT °C	31	30	29	28	28	27	27	27	27	27	
	Nsof kW	6.4	7.9	10.0	12.3	13.6	14.9	16.3	17.7	19.3	20.9	
	Nmot kW	7.5	11	15	15	18.5	18.5	18.5	22	22	30	
	Lp(A) sc	76	79	83	87	88	89	91	92	93	94	
	Lp(A) cc	<70	<70	<70	<70	<70	<70	<70	<70	<70	<70	
400	Q1 m³/min	9.5	11.9	15.2	18.4	20.0	21.7	23.3	24.9	26.5	28.2	
	DT °C	42	41	39	38	38	37	37	37	36	36	
	Nsof kW	8.5	10.3	13.0	15.8	17.4	18.9	20.6	22.3	24.2	26.1	
	Nmot kW	11	15	15	18.5	22	22	30	30	30	30	
	Lp(A) sc	77	81	85	88	90	91	92	93	95	96	
	Lp(A) cc	<70	<70	<70	<70	<70	<70	70	71	73	74	
500	Q1 m³/min	9.2	11.6	14.8	18.1	19.7	21.3	23.0	24.6	26.2	27.8	
	DT °C	55	52	50	48	48	47	47	46	46	46	
	Nsof kW	10.5	12.8	16.0	19.4	21.1	23.0	24.9	26.9	29.0	31.2	
	Nmot kW	15	15	18.5	22	30	30	30	30	37	37	
	Lp(A) sc	79	82	86	90	91	92	94	95	96	97	
	Lp(A) cc	<70	<70	<70	<70	<70	70	72	73	74	75	
600	Q1 m³/min	8.9	11.3	14.6	17.8	19.4	21.1	22.7	24.3	25.9	27.6	
	DT °C	68	64	61	59	58	57	57	56	56	56	
	Nsof kW	12.5	15.2	18.9	22.9	24.9	27.1	29.3	31.5	33.9	36.3	
	Nmot kW	15	18.5	22	30	30	37	37	37	45	45	
	Lp(A) sc	80	84	88	91	92	94	95	96	97	98	
	Lp(A) cc	<70	<70	<70	<70	70	72	73	74	75	76	
700	Q1 m³/min	8.6	11.0	14.3	17.5	19.2	20.8	22.4	24.0	25.7	27.3	
	DT °C	82	77	72	70	69	68	67	66	66	65	
	Nsof kW	14.5	17.6	21.9	26.4	28.7	31.1	33.6	36.1	38.8	41.5	
	Nmot kW	18.5	22	30	30	37	37	45	45	45	55	
	Lp(A) sc	81	85	89	92	94	95	96	97	99	100	
	Lp(A) cc	<70	<70	<70	70	72	73	74	75	77	78	
800	Q1 m³/min	8.4	10.8	14.0	17.3	18.9	20.5	22.2	23.8	25.4	27.0	
	DT °C	96	89	84	81	79	78	77	77	76	75	
	Nsof kW	16.6	20.1	24.9	29.9	32.5	35.2	37.9	40.7	43.6	46.6	
	Nmot kW	18.5	30	30	37	37	45	45	55	55	55	
	Lp(A) sc	83	86	90	93	95	96	97	99	100	101	
	Lp(A) cc	<70	<70	<70	71	73	74	75	77	78	79	
900	Q1 m³/min	8.1	10.6	13.8	17.1	18.7	20.3	21.9	23.6	25.2	26.8	
	DT °C	111	103	96	92	90	89	88	87	86	86	
	Nsof kW	18.6	22.5	27.9	33.4	36.3	39.2	42.3	45.3	48.5	51.8	
	Nmot kW	22	30	37	45	45	55	55	55	55	75	
	Lp(A) sc	84	87	91	94	96	97	99	100	101	102	
	Lp(A) cc	<70	<70	<70	72	74	75	77	78	79	80	
1000	Q1 m³/min	7.9	10.3	13.6	16.8	18.5	20.1	21.7	23.3	25.0	26.6	
	DT °C	127	117	109	104	102	100	99	98	97	96	
	Nsof kW	20.6	24.9	30.8	36.9	40.1	43.3	46.6	49.9	53.4	56.9	
	Nmot kW	30	30	37	45	45	55	55	75	75	75	
	Lp(A) sc	85	88	92	96	97	98	100	101	102	103	
	Lp(A) cc	<70	<70	70	74	75	76	78	79	80	81	

RBS 75

Vacuum operation

Nsof: Blower absorbed power

Nmot: Advised motor power

Lp(A) sc: Sound pressure level in accordance with ISO 3746 in a free field at 1m without noise enclosure and with sound insulated pipes

Lp(A) cc: Sound pressure level in accordance with ISO 3746 in a free field at 1m with noise enclosure and with sound insulated pipes

Performances related to atmospheric air:
abs. pressure 1,013 mbar
Temperature 20° C
Humidity 50%
Specific weight 1.2 kg/m3

For performances with gases other than atmospheric air or at non-standard conditions contact your Authorized ROBUSCHI representative

Tolerance on performances: in accordance with the Robuschi TE1.S.0015 specification

DP (mbar)	Poles rpm	4					2					
		1500	1800	2200	2600	2800	3000	3200	3400	3600	3800	
200	Q1 m³/min	10.0	12.5	15.7	19.0	20.6	22.2	23.9	25.5	27.1	28.7	
	DT °C	25	24	23	23	23	23	22	22	22	22	
	Nsof kW	4.4	5.5	7.0	8.8	9.8	10.8	11.9	13.1	14.4	15.8	
	Nmot kW	5.5	7.5	11	11	11	15	15	15	18.5	18.5	
	Lp(A) sc	75	79	83	86	87	89	90	91	92	93	
	Lp(A) cc	<70	<70	<70	<70	<70	<70	<70	<70	<70	70	
250	Q1 m³/min	9.7	12.2	15.4	18.7	20.3	21.9	23.5	25.1	26.8	28.4	
	DT °C	34	33	32	31	31	31	30	30	30	30	
	Nsof kW	5.4	6.7	8.5	10.6	11.7	12.9	14.1	15.4	16.8	18.3	
	Nmot kW	7.5	7.5	11	15	15	15	18.5	18.5	22	22	
	Lp(A) sc	76	80	84	87	89	90	91	92	93	95	
	Lp(A) cc	<70	<70	<70	<70	<70	<70	<70	70	71	73	
300	Q1 m³/min	9.4	11.8	15.1	18.3	20.0	21.6	23.2	24.8	26.4	28.1	
	DT °C	46	44	42	41	40	40	39	39	39	39	
	Nsof kW	6.4	7.9	10.0	12.3	13.6	14.9	16.3	17.7	19.3	20.9	
	Nmot kW	7.5	11	15	15	18.5	18.5	18.5	22	22	30	
	Lp(A) sc	78	81	85	89	90	91	93	94	95	96	
	Lp(A) cc	<70	<70	<70	<70	<70	<70	71	72	73	74	
350	Q1 m³/min	9.1	11.5	14.7	18.0	19.6	21.2	22.9	24.5	26.1	27.7	
	DT °C	59	56	54	52	51	51	50	50	49	49	
	Nsof kW	7.4	9.1	11.5	14.1	15.5	16.9	18.4	20.0	21.7	23.5	
	Nmot kW	11	11	15	18.5	18.5	22	22	30	30	30	
	Lp(A) sc	79	83	87	90	92	93	94	95	96	97	
	Lp(A) cc	<70	<70	<70	<70	<70	71	72	73	74	75	
400	Q1 m³/min	8.7	11.1	14.4	17.6	19.3	20.9	22.5	24.1	25.8	27.4	
	DT °C	76	72	68	65	64	64	63	62	62	62	
	Nsof kW	8.5	10.3	13.0	15.8	17.4	18.9	20.6	22.3	24.2	26.1	
	Nmot kW	11	15	15	18.5	22	22	30	30	30	30	
	Lp(A) sc	81	85	88	92	93	94	96	97	98	99	
	Lp(A) cc	<70	<70	<70	<70	71	72	74	75	76	77	
450	Q1 m³/min	8.3	10.8	14.0	17.3	18.9	20.5	22.1	23.8	25.4	27.0	
	DT °C	98	91	85	82	81	79	79	78	77	76	
	Nsof kW	9.5	11.5	14.5	17.6	19.2	21.0	22.8	24.6	26.6	28.6	
	Nmot kW	11	15	18.5	22	22	30	30	30	30	37	
	Lp(A) sc	83	86	90	93	95	96	98	99	100	101	
	Lp(A) cc	<70	<70	<70	71	73	74	76	77	78	79	
500	Q1 m³/min	7.9	10.4	13.6	16.9	18.5	20.1	21.7	23.4	25.0	26.6	
	DT °C	125	115	107	102	100	99	98	96	95	95	
	Nsof kW	10.5	12.8	16.0	19.4	21.1	23.0	24.9	26.9	29.0	31.2	
	Nmot kW	15	15	18.5	22	30	30	30	30	37	37	
	Lp(A) sc	85	88	92	95	97	98	99	101	102	103	
	Lp(A) cc	<70	<70	70	73	75	76	77	79	80	81	
550	Q1 m³/min											
	DT °C											
	Nsof kW											
	Nmot kW											
	Lp(A) sc											
	Lp(A) cc											



RBS 85

Pressure operation

Nsof: Blower absorbed power

Nmot: Advised motor power

Lp(A) sc: Sound pressure level in accordance with ISO 3746 in a free field at 1m without noise enclosure and with sound insulated pipes

Lp(A) cc: Sound pressure level in accordance with ISO 3746 in a free field at 1m with noise enclosure and with sound insulated pipes

Performances related to atmospheric air:
abs. pressure 1,013 mbar
Temperature 20° C
Humidity 50%
Specific weight 1.2 kg/m3

For performances with gases other than atmospheric air or at non-standard conditions contact your Authorized ROBUSCHI representative

Tolerance on performances: in accordance with the Robuschi TE1.S.0015 specification

DP (mbar)	Poles		4				2					
	rpm		1500	1800	2200	2600	2800	3000	3200	3400	3600	3800
300	Q1	m³/min	14,4	18,0	22,8	27,6	30,0	32,4	34,8	37,2	39,6	42,0
	DT	°C	31	30	29	28	28	28	27	27	27	27
	Nsof	kW	9,5	11,7	14,8	18,2	20,1	22,1	24,1	26,3	28,6	31,0
	Nmot	kW	11	15	18,5	22	30	30	30	30	37	37
	Lp(A) sc		79	82	86	90	91	92	94	95	96	97
	Lp(A) cc		<70	<70	<70	<70	<70	70	72	73	74	75
400	Q1	m³/min	13,8	17,4	22,2	27,0	29,4	31,8	34,2	36,6	39,0	41,4
	DT	°C	43	41	39	38	38	37	37	37	37	36
	Nsof	kW	12,5	15,3	19,2	23,4	25,7	28,1	30,5	33,1	35,8	38,6
	Nmot	kW	15	18,5	22	30	30	37	37	37	45	45
	Lp(A) sc		80	84	88	91	93	94	95	96	98	99
	Lp(A) cc		<70	<70	<70	<70	71	72	73	74	76	77
500	Q1	m³/min	13,4	17,0	21,8	26,6	29,0	31,4	33,8	36,2	38,6	41,0
	DT	°C	56	53	50	49	48	47	47	47	46	46
	Nsof	kW	15,5	18,9	23,6	28,6	31,3	34,1	36,9	39,9	43,0	46,2
	Nmot	kW	18,5	22	30	37	37	45	45	45	55	55
	Lp(A) sc		82	85	89	93	94	95	97	98	99	100
	Lp(A) cc		<70	<70	<70	71	72	73	75	76	77	78
600	Q1	m³/min	12,9	16,5	21,3	26,1	28,5	30,9	33,3	35,7	38,1	40,5
	DT	°C	69	65	61	59	58	58	57	57	56	56
	Nsof	kW	18,5	22,5	28,0	33,8	36,9	40,1	43,3	46,7	50,2	53,8
	Nmot	kW	22	30	37	45	45	55	55	55	75	75
	Lp(A) sc		83	87	91	94	95	97	98	99	100	101
	Lp(A) cc		<70	<70	<70	72	73	75	76	77	78	79
700	Q1	m³/min	12,5	16,1	20,9	25,7	28,1	30,5	32,9	35,3	37,7	40,1
	DT	°C	83	78	73	70	69	68	68	67	66	66
	Nsof	kW	21,5	26,1	32,4	39,0	42,5	46,1	49,7	53,5	57,4	61,4
	Nmot	kW	30	30	37	45	55	55	75	75	75	75
	Lp(A) sc		84	88	92	95	97	98	99	100	102	103
	Lp(A) cc		<70	<70	<70	73	75	76	77	78	80	81
800	Q1	m³/min	12,1	15,7	20,5	25,3	27,7	30,1	32,5	34,9	37,3	39,7
	DT	°C	98	91	85	81	80	79	78	77	77	76
	Nsof	kW	24,5	29,7	36,8	44,2	48,1	52,1	56,1	60,3	64,6	69,0
	Nmot	kW	30	37	45	55	55	75	75	75	90	90
	Lp(A) sc		86	89	93	96	98	99	100	102	103	104
	Lp(A) cc		<70	<70	71	74	76	77	78	80	81	82
900	Q1	m³/min		15,4	20,2	25,0	27,4	29,8	32,2	34,6	37,0	39,4
	DT	°C		105	97	93	91	90	89	88	87	86
	Nsof	kW		33,3	41,2	49,4	53,7	58,1	62,5	67,1	71,8	76,6
	Nmot	kW		45	55	55	75	75	75	75	90	90
	Lp(A) sc			90	94	97	99	100	102	103	104	105
	Lp(A) cc			<70	72	75	77	78	80	81	82	83
1000	Q1	m³/min			19,8	24,6	27,0	29,4	31,8	34,2	36,6	39,0
	DT	°C			110	105	103	101	100	98	97	97
	Nsof	kW			45,6	54,6	59,3	64,1	68,9	73,9	79,0	84,2
	Nmot	kW			55	75	75	75	90	90	90	110
	Lp(A) sc				95	99	100	101	103	104	105	106
	Lp(A) cc				73	77	78	79	81	82	83	84



RBS 85

Vacuum operation

Nsof: Blower absorbed power

Nmot: Advised motor power

Lp(A) sc: Sound pressure level in accordance with ISO 3746 in a free field at 1m without noise enclosure and with sound insulated pipes

Lp(A) cc: Sound pressure level in accordance with ISO 3746 in a free field at 1m with noise enclosure and with sound insulated pipes

Performances related to atmospheric air:
abs. pressure 1,013 mbar
Temperature 20° C
Humidity 50%
Specific weight 1.2 kg/m3

For performances with gases other than atmospheric air or at non-standard conditions contact your Authorized ROBUSCHI representative

Tolerance on performances: in accordance with the Robuschi TE1.S.0015 specification

DP (mbar)	Poles		4				2					
	rpm		1500	1800	2200	2600	2800	3000	3200	3400	3600	3800
200	Q1	m³/min	14,7	18,3	23,1	27,9	30,3	32,7	35,1	37,5	39,9	42,3
	DT	°C	25	24	24	23	23	23	23	22	22	22
	Nsof	kW	6,5	8,1	10,4	13,0	14,5	16,1	17,7	19,5	21,4	23,4
	Nmot	kW	7,5	11	15	15	18,5	18,5	22	22	30	30
	Lp(A) sc		78	82	86	89	90	92	93	94	95	96
	Lp(A) cc		<70	<70	<70	<70	<70	<70	71	72	73	74
250	Q1	m³/min	14,2	17,8	22,6	27,4	29,8	32,2	34,6	37,0	39,4	41,8
	DT	°C	35	33	32	31	31	31	30	30	30	30
	Nsof	kW	8,0	9,9	12,6	15,6	17,3	19,1	20,9	22,9	25,0	27,2
	Nmot	kW	11	11	15	18,5	22	22	30	30	30	37
	Lp(A) sc		79	83	87	90	92	93	94	95	96	98
	Lp(A) cc		<70	<70	<70	<70	<70	71	72	73	74	76
300	Q1	m³/min	13,7	17,3	22,1	26,9	29,3	31,7	34,1	36,5	38,9	41,3
	DT	°C	46	44	42	41	40	40	40	39	39	39
	Nsof	kW	9,5	11,7	14,8	18,2	20,1	22,1	24,1	26,3	28,6	31,0
	Nmot	kW	11	15	18,5	22	30	30	30	30	37	37
	Lp(A) sc		81	84	88	92	93	94	96	97	98	99
	Lp(A) cc		<70	<70	<70	<70	71	72	74	75	76	77
350	Q1	m³/min	13,2	16,8	21,6	26,4	28,8	31,2	33,6	36,0	38,4	40,8
	DT	°C	60	57	54	52	52	51	51	50	50	49
	Nsof	kW	11,0	13,5	17,0	20,8	22,9	25,1	27,3	29,7	32,2	34,8
	Nmot	kW	15	15	22	30	30	30	37	37	37	45
	Lp(A) sc		82	86	90	93	95	96	97	98	99	100
	Lp(A) cc		<70	<70	<70	71	73	74	75	76	77	78
400	Q1	m³/min	12,7	16,3	21,1	25,9	28,3	30,7	33,1	35,5	37,9	40,3
	DT	°C	78	73	68	66	65	64	63	63	62	62
	Nsof	kW	12,5	15,3	19,2	23,4	25,7	28,1	30,5	33,1	35,8	38,6
	Nmot	kW	15	18,5	22	30	30	37	37	37	45	45
	Lp(A) sc		84	88	91	95	96	97	99	100	101	102
	Lp(A) cc		<70	<70	<70	73	74	75	77	78	79	80
450	Q1	m³/min	12,1	15,7	20,5	25,3	27,7	30,1	32,5	34,9	37,3	39,7
	DT	°C	100	92	86	83	81	80	79	78	78	77
	Nsof	kW	14,0	17,1	21,4	26,0	28,5	31,1	33,7	36,5	39,4	42,4
	Nmot	kW	18,5	22	30	30	37	37	45	45	45	55
	Lp(A) sc		86	89	93	96	98	99	101	102	103	104
	Lp(A) cc		<70	<70	71	74	76	77	79	80	81	82
500	Q1	m³/min			19,9	24,7	27,1	29,5	31,9	34,3	36,7	39,1
	DT	°C			108	103	101	100	98	97	96	95
	Nsof	kW			23,6	28,6	31,3	34,1	36,9	39,9	43,0	46,2
	Nmot	kW			30	37	37	45	45	45	55	55
	Lp(A) sc				95	98	100	101	102	104	105	106
	Lp(A) cc				73	76	78	79	80	82	83	84
550	Q1	m³/min										
	DT	°C										
	Nsof	kW										
	Nmot	kW										
	Lp(A) sc											
	Lp(A) cc											



RBS 86

Pressure operation

Nsof: Blower absorbed power

Nmot: Advised motor power

Lp(A) sc: Sound pressure level in accordance with ISO 3746 in a free field at 1m without noise enclosure and with sound insulated pipes

Lp(A) cc: Sound pressure level in accordance with ISO 3746 in a free field at 1m with noise enclosure and with sound insulated pipes

Performances related to atmospheric air:
abs. pressure 1,013 mbar
Temperature 20° C
Humidity 50%
Specific weight 1.2 kg/m³

For performances with gases other than atmospheric air or at non-standard conditions contact your Authorized ROBUSCHI representative

Tolerance on performances: in accordance with the Robuschi TE1.S.0015 specification

DP (mbar)	Poles rpm	4				2					
		1500	1800	2200	2600	2800	3000	3200	3400	3600	3800
300	Q1 m ³ /min	18.7	23.4	29.6	35.9	39.0	42.1	45.2	48.4	51.5	54.6
	DT °C	31	30	29	28	28	28	27	27	27	27
	Nsof kW	12.3	15.1	19.1	23.4	25.8	28.3	30.9	33.6	36.5	39.5
	Nmot kW	15	18.5	22	30	30	37	37	45	45	45
	Lp(A) sc	82	85	89	93	94	95	97	98	99	100
	Lp(A) cc	<70	<70	<70	71	72	73	75	76	77	78
400	Q1 m ³ /min	18.0	22.7	28.9	35.2	38.3	41.4	44.5	47.6	50.8	53.9
	DT °C	43	41	39	38	38	37	37	37	37	36
	Nsof kW	16.2	19.8	24.8	30.2	33.1	36.1	39.2	42.4	45.8	49.4
	Nmot kW	18.5	22	30	37	37	45	45	55	55	55
	Lp(A) sc	83	87	91	94	96	97	98	99	101	102
	Lp(A) cc	<70	<70	<70	72	74	75	76	77	79	80
500	Q1 m ³ /min	17.4	22.0	28.3	34.5	37.6	40.8	43.9	47.0	50.1	53.2
	DT °C	56	53	50	49	48	47	47	47	46	46
	Nsof kW	20.1	24.4	30.5	37.0	40.4	43.9	47.5	51.3	55.2	59.3
	Nmot kW	30	30	37	45	45	55	55	75	75	75
	Lp(A) sc	85	88	92	96	97	98	100	101	102	103
	Lp(A) cc	<70	<70	70	74	75	76	78	79	80	81
600	Q1 m ³ /min	16.8	21.5	27.7	33.9	37.1	40.2	43.3	46.4	49.5	52.7
	DT °C	69	65	61	59	58	58	57	57	56	56
	Nsof kW	24.0	29.1	36.2	43.7	47.6	51.7	55.8	60.1	64.6	69.2
	Nmot kW	30	37	45	55	55	75	75	75	75	90
	Lp(A) sc	86	90	94	97	98	100	101	102	103	104
	Lp(A) cc	<70	<70	72	75	76	78	79	80	81	82
700	Q1 m ³ /min	16.3	20.9	27.2	33.4	36.5	39.7	42.8	45.9	49.0	52.1
	DT °C	83	78	73	70	69	68	68	67	66	66
	Nsof kW	27.9	33.8	42.0	50.5	54.9	59.5	64.1	69.0	73.9	79.0
	Nmot kW	37	45	55	75	75	75	75	90	90	90
	Lp(A) sc	87	91	95	98	100	101	102	103	105	106
	Lp(A) cc	<70	<70	73	76	78	79	80	81	83	84
800	Q1 m ³ /min										
	DT °C										
	Nsof kW										
	Nmot kW										
	Lp(A) sc										
	Lp(A) cc										
900	Q1 m ³ /min										
	DT °C										
	Nsof kW										
	Nmot kW										
	Lp(A) sc										
	Lp(A) cc										
1000	Q1 m ³ /min										
	DT °C										
	Nsof kW										
	Nmot kW										
	Lp(A) sc										
	Lp(A) cc										



RBS 86

Vacuum operation

Nsof: Blower absorbed power

Nmot: Advised motor power

Lp(A) sc: Sound pressure level in accordance with ISO 3746 in a free field at 1m without noise enclosure and with sound insulated pipes

Lp(A) cc: Sound pressure level in accordance with ISO 3746 in a free field at 1m with noise enclosure and with sound insulated pipes

Performances related to atmospheric air:
abs. pressure 1,013 mbar
Temperature 20° C
Humidity 50%
Specific weight 1.2 kg/m³

For performances with gases other than atmospheric air or at non-standard conditions contact your Authorized ROBUSCHI representative

Tolerance on performances: in accordance with the Robuschi TE1.S.0015 specification

DP (mbar)	Poles rpm	4				2					
		1500	1800	2200	2600	2800	3000	3200	3400	3600	3800
200	Q1 m ³ /min	19.1	23.8	30.1	36.3	39.4	42.5	45.7	48.8	51.9	55.0
	DT °C	25	24	24	23	23	23	23	22	22	22
	Nsof kW	8.4	10.4	13.4	16.7	18.5	20.5	22.5	24.8	27.1	29.6
	Nmot kW	11	15	15	22	22	30	30	30	37	37
	Lp(A) sc	81	85	89	92	93	95	96	97	98	99
	Lp(A) cc	<70	<70	<70	<70	71	73	74	75	76	77
250	Q1 m ³ /min	18.5	23.2	29.4	35.6	38.8	41.9	45.0	48.1	51.2	54.4
	DT °C	35	33	32	31	31	31	30	30	30	30
	Nsof kW	10.4	12.7	16.2	20.1	22.2	24.4	26.7	29.2	31.8	34.6
	Nmot kW	15	15	18.5	30	30	30	30	37	37	45
	Lp(A) sc	82	86	90	93	95	96	97	98	99	101
	Lp(A) cc	<70	<70	<70	71	73	74	75	76	77	79
300	Q1 m ³ /min	17.8	22.5	28.7	35.0	38.1	41.2	44.3	47.5	50.6	53.7
	DT °C	46	44	42	41	40	40	40	39	39	39
	Nsof kW	12.3	15.1	19.1	23.4	25.8	28.3	30.9	33.6	36.5	39.5
	Nmot kW	15	18.5	22	30	30	37	37	45	45	45
	Lp(A) sc	84	87	91	95	96	97	99	100	101	102
	Lp(A) cc	<70	<70	<70	73	74	75	77	78	79	80
350	Q1 m ³ /min	17.2	21.8	28.1	34.3	37.4	40.6	43.7	46.8	49.9	53.0
	DT °C	60	57	54	52	52	51	51	50	50	49
	Nsof kW	14.3	17.4	21.9	26.8	29.4	32.2	35.0	38.0	41.2	44.5
	Nmot kW	18.5	22	30	37	37	45	45	55	55	55
	Lp(A) sc	85	89	93	96	98	99	100	101	102	103
	Lp(A) cc	<70	<70	71	74	76	77	78	79	80	81
400	Q1 m ³ /min	16.5	21.1	27.4	33.6	36.7	39.9	43.0	46.1	49.2	52.3
	DT °C	78	73	68	66	65	64	63	63	62	62
	Nsof kW	16.2	19.8	24.8	30.2	33.1	36.1	39.2	42.4	45.8	49.4
	Nmot kW	18.5	22	30	37	37	45	45	55	55	55
	Lp(A) sc	87	91	94	98	99	100	102	103	104	105
	Lp(A) cc	<70	<70	72	76	77	78	80	81	82	83
450	Q1 m ³ /min			26.6	32.9	36.0	39.1	42.2	45.4	48.5	51.6
	DT °C			86	83	81	80	79	78	78	77
	Nsof kW			27.7	33.6	36.7	40.0	43.3	46.9	50.5	54.3
	Nmot kW			37	45	45	45	55	55	75	75
	Lp(A) sc			96	99	101	102	104	105	106	107
	Lp(A) cc			74	77	79	80	82	83	84	85
500	Q1 m ³ /min										
	DT °C										
	Nsof kW										
	Nmot kW										
	Lp(A) sc										
	Lp(A) cc										
550	Q1 m ³ /min										
	DT °C										
	Nsof kW										
	Nmot kW										
	Lp(A) sc										
	Lp(A) cc										



RBS 95

Pressure operation

Nsof: Blower absorbed power

Nmot: Advised motor power

Lp(A) sc: Sound pressure level in accordance with ISO 3746 in a free field at 1m without noise enclosure and with sound insulated pipes

Lp(A) cc: Sound pressure level in accordance with ISO 3746 in a free field at 1m with noise enclosure and with sound insulated pipes

Performances related to atmospheric air:
abs. pressure 1,013 mbar
Temperature 20° C
Humidity 50%
Specific weight 1.2 kg/m3

For performances with gases other than atmospheric air or at non-standard conditions contact your Authorized ROBUSCHI representative

Tolerance on performances: in accordance with the Robuschi TE1.S.0015 specification

DP (mbar)	Poles rpm	4						2				
		1200	1300	1400	1500	1800	2200	2400	2600	2800	3000	
300	Q1 m³/min	16,3	17,9	19,6	21,3	26,3	33,0	36,3	39,6	43,0	46,3	
	DT °C	31	30	30	29	28	28	27	27	27	27	
	Nsof kW	10,6	11,6	12,6	13,6	17,0	21,9	24,6	27,5	30,6	34,0	
	Nmot kW	15	15	15	15,5	22	30	30	37	37	45	
	Lp(A) sc	76	77	79	80	83	87	89	91	92	93	
	Lp(A) cc	<70	<70	<70	<70	<70	<70	<70	<70	<70	<70	
400	Q1 m³/min	15,7	17,4	19,0	20,7	25,7	32,4	35,7	39,1	42,4	45,7	
	DT °C	42	41	41	40	39	38	37	37	36	36	
	Nsof kW	13,9	15,2	16,5	17,8	22,0	28,0	31,3	34,7	38,4	42,3	
	Nmot kW	18,5	18,5	18,5	22	30	37	37	45	45	55	
	Lp(A) sc	77	79	80	81	85	89	91	92	94	95	
	Lp(A) cc	<70	<70	<70	<70	<70	<70	<70	<70	<70	<70	
500	Q1 m³/min	15,2	16,8	18,5	20,2	25,2	31,9	35,2	38,5	41,9	45,2	
	DT °C	55	53	52	51	49	48	47	47	46	46	
	Nsof kW	17,3	18,8	20,4	22,0	27,0	34,1	38,0	42,0	46,2	50,7	
	Nmot kW	22	22	30	30	37	45	45	55	55	75	
	Lp(A) sc	78	80	81	83	86	90	92	94	95	96	
	Lp(A) cc	<70	<70	<70	<70	<70	<70	<70	<70	<70	<70	
600	Q1 m³/min	14,7	16,4	18,0	19,7	24,7	31,4	34,7	38,1	41,4	44,8	
	DT °C	68	66	64	63	60	58	57	57	56	55	
	Nsof kW	20,6	22,4	24,3	26,2	32,0	40,3	44,6	49,2	54,0	59,0	
	Nmot kW	30	30	30	30	37	45	55	55	75	75	
	Lp(A) sc	80	81	83	84	88	92	93	95	96	98	
	Lp(A) cc	<70	<70	<70	<70	<70	<70	<70	<70	<70	<70	
700	Q1 m³/min	14,3	15,9	17,6	19,3	24,3	31,0	34,3	37,7	41,0	44,3	
	DT °C	81	79	77	75	72	69	68	67	66	65	
	Nsof kW	24,0	26,1	28,2	30,3	37,0	46,4	51,3	56,5	61,8	67,4	
	Nmot kW	30	30	37	37	45	55	75	75	75	75	
	Lp(A) sc	81	83	84	85	89	93	95	96	98	99	
	Lp(A) cc	<70	<70	<70	<70	<70	<70	<70	<70	<70	<70	
800	Q1 m³/min	13,9	15,5	17,2	18,9	23,9	30,6	33,9	37,3	40,6	43,9	
	DT °C	95	92	90	88	83	79	78	77	76	75	
	Nsof kW	27,3	29,7	32,1	34,5	42,0	52,5	58,0	63,7	69,6	75,7	
	Nmot kW	37	37	37	45	55	75	75	75	90	90	
	Lp(A) sc	82	84	85	87	90	94	96	97	99	100	
	Lp(A) cc	<70	<70	<70	<70	<70	<70	<70	<70	<70	<70	
900	Q1 m³/min	13,5	15,2	16,8	18,5	23,5	30,2	33,5	36,9	40,2	43,6	
	DT °C	110	106	103	101	95	90	89	88	86	86	
	Nsof kW	30,6	33,3	36,0	38,7	47,0	58,6	64,7	70,9	77,4	84,1	
	Nmot kW	37	45	45	45	55	75	75	90	90	110	
	Lp(A) sc	83	85	86	88	91	95	97	98	100	101	
	Lp(A) cc	<70	<70	<70	<70	<70	<70	<70	<70	<70	<70	
1000	Q1 m³/min	13,1	14,8	16,5	18,2	23,2	29,8	33,2	36,5	39,9	43,2	
	DT °C	126	121	117	114	107	102	100	98	97	96	
	Nsof kW	34,0	36,9	39,9	42,9	52,0	64,7	71,4	78,2	85,2	92,4	
	Nmot kW	45	45	45	55	75	75	90	90	110	110	
	Lp(A) sc	84	86	87	89	92	96	98	100	101	102	
	Lp(A) cc	<70	<70	<70	<70	<70	<70	<70	<70	<70	<70	



RBS 95

Vacuum operation

Nsof: Blower absorbed power

Nmot: Advised motor power

Lp(A) sc: Sound pressure level in accordance with ISO 3746 in a free field at 1m without noise enclosure and with sound insulated pipes

Lp(A) cc: Sound pressure level in accordance with ISO 3746 in a free field at 1m with noise enclosure and with sound insulated pipes

Performances related to atmospheric air:
abs. pressure 1,013 mbar
Temperature 20° C
Humidity 50%
Specific weight 1.2 kg/m3

For performances with gases other than atmospheric air or at non-standard conditions contact your Authorized ROBUSCHI representative

Tolerance on performances: in accordance with the Robuschi TE1.S.0015 specification

DP (mbar)	Poles rpm	4						2				
		1200	1300	1400	1500	1800	2200	2400	2600	2800	3000	
200	Q1 m³/min	16,6	18,3	19,9	21,6	26,6	33,3	36,6	40,0	43,3	46,7	
	DT °C	25	24	24	24	23	23	23	22	22	22	
	Nsof kW	7,3	8,0	8,7	9,5	11,9	15,8	17,9	20,3	22,8	25,6	
	Nmot kW	11	11	11	11	15	18,5	22	30	30	30	
	Lp(A) sc	75	76	78	79	83	87	88	90	91	93	
	Lp(A) cc	<70	<70	<70	<70	<70	<70	<70	<70	<70	<70	
250	Q1 m³/min	16,1	17,7	19,4	21,1	26,1	32,8	36,1	39,4	42,8	46,1	
	DT °C	34	34	33	33	32	31	30	30	30	30	
	Nsof kW	8,9	9,8	10,6	11,6	14,4	18,8	21,3	23,9	26,7	29,8	
	Nmot kW	11	11	15	15	18,5	22	30	30	30	37	
	Lp(A) sc	76	78	79	80	84	88	90	91	93	94	
	Lp(A) cc	<70	<70	<70	<70	<70	<70	<70	<70	<70	<70	
300	Q1 m³/min	15,5	17,2	18,9	20,5	25,6	32,2	35,6	38,9	42,3	45,6	
	DT °C	45	44	44	43	41	40	40	39	39	39	
	Nsof kW	10,6	11,6	12,6	13,6	17,0	21,9	24,6	27,5	30,6	34,0	
	Nmot kW	15	15	15	15,5	22	30	30	37	37	45	
	Lp(A) sc	77	79	80	82	85	89	91	93	94	95	
	Lp(A) cc	<70	<70	<70	<70	<70	<70	<70	<70	<70	<70	
350	Q1 m³/min	15,0	16,7	18,3	20,0	25,0	31,7	35,0	38,4	41,7	45,1	
	DT °C	59	58	56	55	53	51	51	50	50	49	
	Nsof kW	12,3	13,4	14,5	15,7	19,5	24,9	27,9	31,1	34,5	38,1	
	Nmot kW	15	15	18,5	18,5	22	30	37	37	45	45	
	Lp(A) sc	79	81	82	83	87	91	92	94	96	97	
	Lp(A) cc	<70	<70	<70	<70	<70	<70	<70	<70	<70	<70	
400	Q1 m³/min	14,4	16,1	17,8	19,4	24,5	31,1	34,5	37,8	41,2	44,5	
	DT °C	76	74	72	70	67	64	64	63	62	62	
	Nsof kW	13,9	15,2	16,5	17,8	22,0	28,0	31,3	34,7	38,4	42,3	
	Nmot kW	18,5	18,5	18,5	22	30	37	37	45	45	55	
	Lp(A) sc	81	82	84	85	89	92	94	96	97	98	
	Lp(A) cc	<70	<70	<70	<70	<70	<70	<70	<70	<70	<70	
450	Q1 m³/min	13,8	15,5	17,2	18,8	23,9	30,5	33,9	37,2	40,6	43,9	
	DT °C	97	94	91	89	84	81	79	78	77	76	
	Nsof kW	15,6	17,0	18,4	19,9	24,5	31,1	34,6	38,4	42,3	46,5	
	Nmot kW	18,5	22	22	30	30	37	45	45	55	55	
	Lp(A) sc	82	84	85	87	90	94	96	97	99	100	
	Lp(A) cc	<70	<70	<70	<70	<70	<70	<70	<70	<70	<70	
500	Q1 m³/min	13,2	14,9	16,5	18,2	23,2	29,9	33,2	36,6	39,9	43,3	
	DT °C	124	119	115	112	106	100	98	97	96	95	
	Nsof kW	17,3	18,8	20,4	22,0	27,0	34,1	38,0	42,0	46,2	50,7	
	Nmot kW	22	22	30	30	37	45	45	55	55	75	
	Lp(A) sc	84	86	87	89	92	96	98	99	101	102	
	Lp(A) cc	<70	<70	<70	<70	<70	<70	<70	<70	<70	<70	
550	Q1 m³/min											
	DT °C											
	Nsof kW											
	Nmot kW											
	Lp(A) sc											
	Lp(A) cc											



RBS 105

Pressure operation

Nsof: Blower absorbed power

Nmot: Advised motor power

Lp(A) sc: Sound pressure level in accordance with ISO 3746 in a free field at 1m without noise enclosure and with sound insulated pipes

Lp(A) cc: Sound pressure level in accordance with ISO 3746 in a free field at 1m with noise enclosure and with sound insulated pipes

Performances related to atmospheric air:
abs. pressure 1,013 mbar
Temperature 20° C
Humidity 50%
Specific weight 1.2 kg/m3

For performances with gases other than atmospheric air or at non-standard conditions contact your Authorized ROBUSCHI representative

Tolerance on performances: in accordance with the Robuschi TE1.S.0015 specification

DP (mbar)	Poles		4						2			
	rpm		1200	1300	1400	1500	1800	2200	2400	2600	2800	3000
300	Q1	m³/min	21.2	23.4	25.6	27.7	34.3	43.0	47.3	51.6	56.0	60.3
	DT	°C	30	30	29	29	28	28	27	27	27	27
	Nsof	kW	13.6	14.9	16.2	17.5	21.6	27.6	30.9	34.4	38.1	42.0
	Nmot	kW	18.5	18.5	18.5	22	30	37	37	45	45	55
	Lp(A) sc		79	80	82	83	86	90	92	94	95	96
	Lp(A) cc		<70	<70	<70	<70	<70	<70	70	72	73	74
400	Q1	m³/min	20.5	22.6	24.8	27.0	33.5	42.2	46.5	50.9	55.2	59.6
	DT	°C	42	41	41	40	39	37	37	37	36	36
	Nsof	kW	18.0	19.6	21.2	22.9	28.1	35.6	39.6	43.8	48.2	52.9
	Nmot	kW	22	22	30	30	37	45	45	55	55	75
	Lp(A) sc		80	82	83	84	88	92	94	95	97	98
	Lp(A) cc		<70	<70	<70	<70	<70	<70	72	73	75	76
500	Q1	m³/min	19.8	22.0	24.2	26.3	32.8	41.5	45.9	50.2	54.6	58.9
	DT	°C	54	53	52	51	49	48	47	46	46	46
	Nsof	kW	22.3	24.3	26.3	28.3	34.6	43.6	48.3	53.2	58.4	63.8
	Nmot	kW	30	30	30	37	45	55	55	75	75	75
	Lp(A) sc		81	83	84	86	89	93	95	97	98	99
	Lp(A) cc		<70	<70	<70	<70	<70	71	73	75	76	77
600	Q1	m³/min	19.2	21.4	23.6	25.7	32.2	40.9	45.3	49.6	54.0	58.3
	DT	°C	67	66	64	63	60	58	57	56	56	55
	Nsof	kW	26.7	29.0	31.4	33.8	41.2	51.5	57.0	62.6	68.5	74.6
	Nmot	kW	30	37	37	45	55	75	75	75	90	90
	Lp(A) sc		83	84	86	87	91	95	96	98	99	101
	Lp(A) cc		<70	<70	<70	<70	<70	73	74	76	77	79
700	Q1	m³/min	18.7	20.8	23.0	25.2	31.7	40.4	44.7	49.1	53.4	57.8
	DT	°C	81	78	76	75	71	68	67	67	66	65
	Nsof	kW	31.0	33.7	36.5	39.2	47.7	59.5	65.7	72.1	78.7	85.5
	Nmot	kW	37	45	45	45	55	75	75	90	90	110
	Lp(A) sc		84	86	87	88	92	96	98	99	101	102
	Lp(A) cc		<70	<70	<70	<70	<70	74	76	77	79	80
800	Q1	m³/min	18.1	20.3	22.5	24.7	31.2	39.9	44.2	48.6	52.9	57.3
	DT	°C	95	92	89	87	83	79	78	77	76	75
	Nsof	kW	35.4	38.4	41.5	44.6	54.2	67.5	74.4	81.5	88.8	96.4
	Nmot	kW	45	45	55	55	75	90	90	90	110	110
	Lp(A) sc		85	87	88	90	93	97	99	100	102	103
	Lp(A) cc		<70	<70	<70	<70	71	75	77	78	80	81
900	Q1	m³/min	17.7	19.8	22.0	24.2	30.7	39.4	43.7	48.1	52.4	56.8
	DT	°C	110	106	103	100	95	90	89	87	86	85
	Nsof	kW	39.7	43.1	46.6	50.1	60.7	75.4	83.1	90.9	98.9	107.2
	Nmot	kW	45	55	55	75	90	90	110	110	132	132
	Lp(A) sc		86	88	89	91	94	98	100	101	103	104
	Lp(A) cc		<70	<70	<70	<70	72	76	78	79	81	82
1000	Q1	m³/min					30.3	38.9	43.3	47.6	52.0	56.3
	DT	°C					107	101	100	98	97	96
	Nsof	kW					67.2	83.4	91.8	100.3	109.1	118.1
	Nmot	kW					75	110	110	110	132	132
	Lp(A) sc						95	99	101	103	104	105
	Lp(A) cc						73	77	79	81	82	83



RBS 105

Vacuum operation

Nsof: Blower absorbed power

Nmot: Advised motor power

Lp(A) sc: Sound pressure level in accordance with ISO 3746 in a free field at 1m without noise enclosure and with sound insulated pipes

Lp(A) cc: Sound pressure level in accordance with ISO 3746 in a free field at 1m with noise enclosure and with sound insulated pipes

Performances related to atmospheric air:
abs. pressure 1,013 mbar
Temperature 20° C
Humidity 50%
Specific weight 1.2 kg/m3

For performances with gases other than atmospheric air or at non-standard conditions contact your Authorized ROBUSCHI representative

Tolerance on performances: in accordance with the Robuschi TE1.S.0015 specification

DP (mbar)	Poles		4						2			
	rpm		1200	1300	1400	1500	1800	2200	2400	2600	2800	3000
200	Q1	m³/min	21,723,8	26.0	28.2	34.7	43.4	47.7	52.1	56.4	60.8	
	DT	°C	25	24	24	24	23	23	23	22	22	22
	Nsof	kW	9.3	10.2	11.1	12.0	15.1	19.7	22.2	25.0	28.0	31.2
	Nmot	kW	11	15	15	15	18.5	22	30	30	37	37
	Lp(A) sc		78	79	81	82	86	90	91	93	94	96
	Lp(A) cc		<70	<70	<70	<70	<70	<70	<70	71	72	74
250	Q1	m³/min	21.0	23.1	25.3	27.5	34.0	42.7	47.0	51.4	55.7	60.1
	DT	°C	34	33	33	33	32	31	30	30	30	30
	Nsof	kW	11.5	12.5	13.6	14.8	18.3	23.6	26.6	29.7	33.0	36.6
	Nmot	kW	15	15	18.5	18.5	22	30	30	37	37	45
	Lp(A) sc		79	81	82	83	87	91	93	94	96	97
	Lp(A) cc		<70	<70	<70	<70	<70	<70	71	72	74	75
300	Q1	m³/min	20.3	22.5	24.6	26.8	33.3	42.0	46.4	50.7	55.1	59.4
	DT	°C	45	44	43	43	41	40	40	39	39	39
	Nsof	kW	13.6	14.9	16.2	17.5	21.6	27.6	30.9	34.4	38.1	42.0
	Nmot	kW	18.5	18.5	18.5	22	30	37	37	45	45	55
	Lp(A) sc		80	82	83	85	88	92	94	96	97	98
	Lp(A) cc		<70	<70	<70	<70	<70	70	72	74	75	76
350	Q1	m³/min	19.6	21.8	23.9	26.1	32.6	41.3	45.7	50.0	54.4	58.7
	DT	°C	59	57	56	55	53	51	50	50	49	49
	Nsof	kW	15.8	17.2	18.7	20.2	24.9	31.6	35.3	39.1	43.2	47.5
	Nmot	kW	18.5	22	22	30	30	37	45	45	55	55
	Lp(A) sc		82	84	85	86	90	94	95	97	99	100
	Lp(A) cc		<70	<70	<70	<70	<70	72	73	75	77	78
400	Q1	m³/min	18.9	21.0	23.2	25.4	31.9	40.6	44.9	49.3	53.6	58.0
	DT	°C	75	73	72	70	67	64	63	63	62	61
	Nsof	kW	18.0	19.6	21.2	22.9	28.1	35.6	39.6	43.8	48.2	52.9
	Nmot	kW	22	22	30	30	37	45	45	55	55	75
	Lp(A) sc		84	85	87	88	92	95	97	99	100	101
	Lp(A) cc		<70	<70	<70	<70	<70	73	75	77	78	79
450	Q1	m³/min	18.1	20.3	22.4	24.6	31.1	39.8	44.2	48.6	52.9	57.2
	DT	°C	96	93	91	89	84	80	79	78	77	76
	Nsof	kW	20.2	22.0	23.8	25.6	31.4	39.6	44.0	48.5	53.3	58.3
	Nmot	kW	30	30	30	30	37	45	55	55	75	75
	Lp(A) sc		85	87	88	90	93	97	99	100	102	103
	Lp(A) cc		<70	<70	<70	<70	71	75	77	78	80	81
500	Q1	m³/min					30.3	39.0	43.3	47.6	52.0	56.3
	DT	°C					105	100	98	97	95	94
	Nsof	kW					34.6	43.6	48.3	53.2	58.4	63.8
	Nmot	kW					45	55	55	75	75	75
	Lp(A) sc						95	99	101	102	104	105
	Lp(A) cc						73	77	79	80	82	83
550	Q1	m³/min										
	DT	°C										
	Nsof	kW										
	Nmot	kW										
	Lp(A) sc											
	Lp(A) cc											



RBS 106

Pressure operation

Nsof: Blower absorbed power

Nmot: Advised motor power

Lp(A) sc: Sound pressure level in accordance with ISO 3746 in a free field at 1m without noise enclosure and with sound insulated pipes

Lp(A) cc: Sound pressure level in accordance with ISO 3746 in a free field at 1m with noise enclosure and with sound insulated pipes

Performances related to atmospheric air:
abs. pressure 1,013 mbar
Temperature 20° C
Humidity 50%
Specific weight 1.2 kg/m³

For performances with gases other than atmospheric air or at non-standard conditions contact your Authorized ROBUSCHI representative

Tolerance on performances: in accordance with the Robuschi TE1.S.0015 specification

DP (mbar)	Poles rpm	4					2				
		1200	1300	1400	1500	1800	2200	2400	2600	2800	3000
300	Q1 m ³ /min	28,9	31,9	34,8	37,8	46,7	58,6	64,5	70,5	76,4	82,4
	DT °C	31	30	30	29	28	28	27	27	27	27
	Nsof kW	18,4	20,1	21,8	23,5	28,8	36,5	40,6	44,9	49,5	54,3
	Nmot kW	22	30	30	30	37	45	55	55	75	75
	Lp(A) sc	82	83	85	86	89	93	95	97	98	99
	Lp(A) cc	<70	<70	<70	<70	<70	71	73	75	76	77
400	Q1 m ³ /min	27,9	30,8	33,8	36,8	45,7	57,6	63,5	69,4	75,4	81,3
	DT °C	42	41	41	40	39	38	37	37	36	36
	Nsof kW	24,4	26,5	28,7	30,9	37,7	47,4	52,5	57,8	63,3	69,1
	Nmot kW	30	30	37	37	45	55	75	75	90	90
	Lp(A) sc	83	85	86	87	91	95	97	98	100	101
	Lp(A) cc	<70	<70	<70	<70	<70	73	75	76	78	79
500	Q1 m ³ /min	26,9	29,9	32,9	35,8	44,8	56,6	62,6	68,5	74,5	80,4
	DT °C	55	53	52	51	49	48	47	47	46	46
	Nsof kW	30,3	33,0	35,6	38,3	46,6	58,3	64,4	70,7	77,2	84,0
	Nmot kW	37	37	45	45	55	75	75	90	90	110
	Lp(A) sc	84	86	87	89	92	96	98	100	101	102
	Lp(A) cc	<70	<70	<70	<70	70	74	76	78	79	80
600	Q1 m ³ /min	26,1	29,1	32,0	35,0	43,9	55,8	61,7	67,7	73,6	79,6
	DT °C	68	66	64	63	60	58	57	57	56	56
	Nsof kW	36,3	39,4	42,6	45,8	55,6	69,2	76,3	83,5	91,1	98,8
	Nmot kW	45	45	55	55	75	90	90	110	110	110
	Lp(A) sc	86	87	89	90	94	98	99	101	102	104
	Lp(A) cc	<70	<70	<70	<70	72	76	77	79	80	82
700	Q1 m ³ /min	25,3	28,3	31,3	34,3	43,2	55,0	61,0	66,9	72,9	78,8
	DT °C	81	79	77	75	72	69	68	67	66	65
	Nsof kW	42,2	45,8	49,5	53,2	64,5	80,1	88,1	96,4	104,9	113,7
	Nmot kW	55	55	75	75	90	110	110	132	132	132
	Lp(A) sc	87	89	90	91	95	99	101	102	104	105
	Lp(A) cc	<70	<70	<70	<70	73	77	79	80	82	83
800	Q1 m ³ /min										
	DT °C										
	Nsof kW										
	Nmot kW										
	Lp(A) sc										
	Lp(A) cc										
900	Q1 m ³ /min										
	DT °C										
	Nsof kW										
	Nmot kW										
	Lp(A) sc										
	Lp(A) cc										
1000	Q1 m ³ /min										
	DT °C										
	Nsof kW										
	Nmot kW										
	Lp(A) sc										
	Lp(A) cc										



RBS 106

Vacuum operation

Nsof: Blower absorbed power

Nmot: Advised motor power

Lp(A) sc: Sound pressure level in accordance with ISO 3746 in a free field at 1m without noise enclosure and with sound insulated pipes

Lp(A) cc: Sound pressure level in accordance with ISO 3746 in a free field at 1m with noise enclosure and with sound insulated pipes

Performances related to atmospheric air:
abs. pressure 1,013 mbar
Temperature 20° C
Humidity 50%
Specific weight 1.2 kg/m³

For performances with gases other than atmospheric air or at non-standard conditions contact your Authorized ROBUSCHI representative

Tolerance on performances: in accordance with the Robuschi TE1.S.0015 specification

DP (mbar)	Poles rpm	4					2				
		1200	1300	1400	1500	1800	2200	2400	2600	2800	3000
200	Q1 m ³ /min	29,5	32,5	35,4	38,4	47,3	59,2	65,1	71,1	77,0	83,0
	DT °C	25	24	24	24	23	23	23	22	22	22
	Nsof kW	12,5	13,7	14,8	16,1	19,9	25,6	28,7	32,1	35,6	39,4
	Nmot kW	15	18,5	18,5	18,5	30	30	37	37	45	45
	Lp(A) sc	81	82	84	85	89	93	94	96	97	99
	Lp(A) cc	<70	<70	<70	<70	<70	71	72	74	75	77
250	Q1 m ³ /min	28,5	31,5	34,5	37,5	46,4	58,2	64,2	70,1	76,1	82,0
	DT °C	34	34	33	33	32	31	30	30	30	30
	Nsof kW	15,5	16,9	18,3	19,8	24,4	31,1	34,7	38,5	42,6	46,8
	Nmot kW	18,5	22	22	30	30	37	45	45	55	55
	Lp(A) sc	82	84	85	86	90	94	96	97	99	100
	Lp(A) cc	<70	<70	<70	<70	<70	72	74	75	77	78
300	Q1 m ³ /min	27,6	30,6	33,5	36,5	45,4	57,3	63,2	69,2	75,1	81,1
	DT °C	45	44	44	43	41	40	40	39	39	39
	Nsof kW	18,4	20,1	21,8	23,5	28,8	36,5	40,6	44,9	49,5	54,3
	Nmot kW	22	30	30	30	37	45	55	55	75	75
	Lp(A) sc	83	85	86	88	91	95	97	99	100	101
	Lp(A) cc	<70	<70	<70	<70	<70	73	75	77	78	79
350	Q1 m ³ /min	26,6	29,6	32,6	35,5	44,5	56,3	62,3	68,2	74,2	80,1
	DT °C	59	58	56	55	53	51	51	50	50	49
	Nsof kW	21,4	23,3	25,2	27,2	33,3	41,9	46,6	51,4	56,4	61,7
	Nmot kW	30	30	30	37	45	55	55	75	75	75
	Lp(A) sc	85	87	88	89	93	97	98	100	102	103
	Lp(A) cc	<70	<70	<70	<70	71	75	76	78	80	81
400	Q1 m ³ /min	25,6	28,6	31,6	34,5	43,5	55,3	61,3	67,2	73,2	79,1
	DT °C	76	74	72	70	67	65	64	63	62	62
	Nsof kW	24,4	26,5	28,7	30,9	37,7	47,4	52,5	57,8	63,3	69,1
	Nmot kW	30	30	37	37	45	55	75	75	90	90
	Lp(A) sc	87	88	90	91	95	98	100	102	103	104
	Lp(A) cc	<70	<70	<70	<70	73	76	78	80	81	82
450	Q1 m ³ /min				33,5	42,4	54,3	60,2	66,1	72,1	78,0
	DT °C				89	84	81	79	78	77	76
	Nsof kW				34,6	42,2	52,8	58,4	64,2	70,3	76,5
	Nmot kW				45	55	75	75	90	90	90
	Lp(A) sc				93	96	100	102	103	105	106
	Lp(A) cc				71	74	78	80	81	83	84
500	Q1 m ³ /min										
	DT °C										
	Nsof kW										
	Nmot kW										
	Lp(A) sc										
	Lp(A) cc										
550	Q1 m ³ /min										
	DT °C										
	Nsof kW										
	Nmot kW										
	Lp(A) sc										
	Lp(A) cc										

RBS 115

Pressure operation

Nsof: Blower absorbed power

Nmot: Advised motor power

Lp(A) sc: Sound pressure level in accordance with ISO 3746 in a free field at 1m without noise enclosure and with sound insulated pipes

Lp(A) cc: Sound pressure level in accordance with ISO 3746 in a free field at 1m with noise enclosure and with sound insulated pipes

Performances related to atmospheric air:
abs. pressure 1,013 mbar
Temperature 20° C
Humidity 50%
Specific weight 1.2 kg/m3

For performances with gases other than atmospheric air or at non-standard conditions contact your Authorized ROBUSCHI representative

Tolerance on performances: in accordance with the Robuschi TE1.S.0015 specification

DP (mbar)	Poles rpm	4										2
		900	1000	1200	1400	1500	1600	1800	2000	2200	2400	
300	Q1 m³/min	23.4	26.6	33.1	39.6	42.8	46.1	52.6	59.0	65.5	72.0	
	DT °C	31	30	29	28	28	28	28	27	27	27	
	Nsof kW	15.3	17.1	21.0	25.2	27.4	29.7	34.6	39.8	45.5	51.7	
	Nmot kW	18.5	22	30	30	37	37	45	45	55	75	
	Lp(A) sc	74	76	80	83	84	85	87	90	91	93	
	Lp(A) cc	<70	<70	<70	<70	<70	<70	<70	<70	<70	<70	
400	Q1 m³/min	22.5	25.8	32.2	38.7	42.0	45.2	51.7	58.2	64.6	71.1	
	DT °C	43	42	40	39	38	38	37	37	36	36	
	Nsof kW	20.1	22.5	27.5	32.8	35.5	38.4	44.3	50.6	57.4	64.7	
	Nmot kW	30	30	37	37	45	45	55	75	75	75	
	Lp(A) sc	75	77	81	84	85	87	89	91	93	95	
	Lp(A) cc	<70	<70	<70	<70	<70	<70	<70	<70	<70	<70	
500	Q1 m³/min	21.7	25.0	31.5	37.9	41.2	44.4	50.9	57.4	63.9	70.3	
	DT °C	55	54	51	49	49	48	47	47	46	46	
	Nsof kW	25.0	27.9	34.0	40.4	43.6	47.0	54.0	61.4	69.3	77.7	
	Nmot kW	30	37	45	45	55	55	75	75	90	90	
	Lp(A) sc	77	79	82	85	87	88	90	92	94	96	
	Lp(A) cc	<70	<70	<70	<70	<70	<70	<70	<70	<70	<70	
600	Q1 m³/min	21.0	24.3	30.7	37.2	40.5	43.7	50.2	56.7	63.1	69.6	
	DT °C	69	66	63	60	60	59	58	57	56	55	
	Nsof kW	29.8	33.3	40.5	47.9	51.7	55.6	63.7	72.2	81.2	90.6	
	Nmot kW	37	45	55	55	75	75	90	90	90	110	
	Lp(A) sc	78	80	84	87	88	89	92	94	96	97	
	Lp(A) cc	<70	<70	<70	<70	<70	<70	<70	<70	<70	<70	
700	Q1 m³/min	20.4	23.6	30.1	36.6	39.8	43.1	49.5	56.0	62.5	69.0	
	DT °C	83	79	75	72	71	70	68	67	66	65	
	Nsof kW	34.7	38.7	47.0	55.5	59.8	64.3	73.5	83.0	93.1	103.6	
	Nmot kW	45	45	55	55	75	75	90	90	110	132	
	Lp(A) sc	79	81	85	88	89	91	93	95	97	99	
	Lp(A) cc	<70	<70	<70	<70	<70	<70	<70	<70	<70	<70	
800	Q1 m³/min	19.8	23.0	29.5	36.0	39.2	42.4	48.9	55.4	61.9	68.4	
	DT °C	98	93	87	83	82	81	79	77	76	75	
	Nsof kW	39.6	44.1	53.4	63.0	67.9	72.9	83.2	93.8	104.9	116.5	
	Nmot kW	45	55	75	75	90	90	110	132	132	132	
	Lp(A) sc	81	83	86	89	91	92	94	96	98	100	
	Lp(A) cc	<70	<70	<70	<70	<70	<70	<70	<70	<70	<70	
900	Q1 m³/min	19.2	22.4	28.9	35.4	38.6	41.9	48.4	54.8	61.3	67.8	
	DT °C	113	107	100	95	94	92	90	88	86	85	
	Nsof kW	44.4	49.5	59.9	70.6	76.0	81.6	92.9	104.6	116.8	129.5	
	Nmot kW	55	75	75	90	90	110	132	132	160	160	
	Lp(A) sc	82	84	87	90	92	93	95	97	99	101	
	Lp(A) cc	<70	<70	<70	<70	<70	<70	<70	<70	<70	<70	
1000	Q1 m³/min	18.7	21.9	28.4	34.9	38.1	41.3	47.8	54.3	60.8	67.3	
	DT °C	129	122	113	108	105	104	101	99	97	96	
	Nsof kW	49.3	54.9	66.4	78.2	84.1	90.2	102.6	115.4	128.7	142.5	
	Nmot kW	55	75	75	90	110	110	132	132	160	160	
	Lp(A) sc	83	85	88	91	93	94	96	98	100	102	
	Lp(A) cc	<70	<70	<70	<70	<70	<70	<70	<70	<70	<70	

RBS 115

Vacuum operation

Nsof: Blower absorbed power

Nmot: Advised motor power

Lp(A) sc: Sound pressure level in accordance with ISO 3746 in a free field at 1m without noise enclosure and with sound insulated pipes

Lp(A) cc: Sound pressure level in accordance with ISO 3746 in a free field at 1m with noise enclosure and with sound insulated pipes

Performances related to atmospheric air:
abs. pressure 1,013 mbar
Temperature 20° C
Humidity 50%
Specific weight 1.2 kg/m3

For performances with gases other than atmospheric air or at non-standard conditions contact your Authorized ROBUSCHI representative

Tolerance on performances: in accordance with the Robuschi TE1.S.0015 specification

DP (mbar)	Poles rpm	4										2
		900	1000	1200	1400	1500	1600	1800	2000	2200	2400	
200	Q1 m³/min	23.9	27.2	33.6	40.1	43.4	46.6	53.1	59.6	66.0	72.5	
	DT °C	25	25	24	23	23	23	23	22	22	22	
	Nsof kW	10.4	11.7	14.6	17.7	19.3	21.1	24.9	29.0	33.7	38.8	
	Nmot kW	15	15	18.5	22	22	30	30	37	45	45	
	Lp(A) sc	73	75	79	82	83	84	87	89	91	92	
	Lp(A) cc	<70	<70	<70	<70	<70	<70	<70	<70	<70	<70	
250	Q1 m³/min	23.1	26.3	32.8	39.3	42.5	45.8	52.3	58.7	65.2	71.7	
	DT °C	35	34	32	32	31	31	31	30	30	30	
	Nsof kW	12.8	14.4	17.8	21.5	23.4	25.4	29.7	34.4	39.6	45.3	
	Nmot kW	15	18.5	22	30	30	37	37	45	45	55	
	Lp(A) sc	74	76	80	83	84	86	88	90	92	94	
	Lp(A) cc	<70	<70	<70	<70	<70	<70	<70	<70	<70	<70	
300	Q1 m³/min	22.3	25.5	32.0	38.5	41.7	45.0	51.5	57.9	64.4	70.9	
	DT °C	46	45	43	41	41	41	40	39	39	39	
	Nsof kW	15.3	17.1	21.0	25.2	27.4	29.7	34.6	39.8	45.5	51.7	
	Nmot kW	18.5	22	30	30	37	37	45	45	55	75	
	Lp(A) sc	76	78	81	84	86	87	89	91	93	95	
	Lp(A) cc	<70	<70	<70	<70	<70	<70	<70	<70	<70	<70	
350	Q1 m³/min	21.5	24.7	31.2	37.7	40.9	44.2	50.6	57.1	63.6	70.1	
	DT °C	60	58	55	53	52	52	51	50	50	49	
	Nsof kW	17.7	19.8	24.3	29.0	31.5	34.0	39.4	45.2	51.5	58.2	
	Nmot kW	22	30	30	37	37	45	45	55	75	75	
	Lp(A) sc	77	79	83	86	87	89	91	93	95	96	
	Lp(A) cc	<70	<70	<70	<70	<70	<70	<70	<70	<70	<70	
400	Q1 m³/min	20.6	23.9	30.3	36.8	40.1	43.3	49.8	56.3	62.7	69.2	
	DT °C	77	74	70	67	66	65	64	63	62	61	
	Nsof kW	20.1	22.5	27.5	32.8	35.5	38.4	44.3	50.6	57.4	64.7	
	Nmot kW	30	30	37	37	45	45	55	75	75	75	
	Lp(A) sc	79	81	85	88	89	90	93	95	96	98	
	Lp(A) cc	<70	<70	<70	<70	<70	<70	<70	<70	<70	<70	
450	Q1 m³/min	19.7	22.9	29.4	35.9	39.1	42.4	48.9	55.3	61.8	68.3	
	DT °C	99	94	88	85	83	82	80	78	77	76	
	Nsof kW	22.5	25.2	30.8	36.6	39.6	42.7	49.2	56.0	63.4	71.2	
	Nmot kW	30	30	37	45	45	55	55	75	75	90	
	Lp(A) sc	81	83	86	89	91	92	94	96	98	100	
	Lp(A) cc	<70	<70	<70	<70	<70	<70	<70	<70	<70	<70	
500	Q1 m³/min	18.7	22.0	28.4	34.9	38.2	41.4	47.9	54.4	60.8	67.3	
	DT °C	127	120	112	106	104	102	99	97	96	94	
	Nsof kW	25.0	27.9	34.0	40.4	43.6	47.0	54.0	61.4	69.3	77.7	
	Nmot kW	30	37	45	45	55	55	75	75	90	90	
	Lp(A) sc	83	85	88	91	93	94	96	98	100	102	
	Lp(A) cc	<70	<70	<70	<70	<70	<70	<70	<70	<70	<70	
550	Q1 m³/min											
	DT °C											
	Nsof kW											
	Nmot kW											
	Lp(A) sc											
	Lp(A) cc											



RBS 125

Pressure operation

Nsof: Blower absorbed power

Nmot: Advised motor power

Lp(A) sc: Sound pressure level in accordance with ISO 3746 in a free field at 1m without noise enclosure and with sound insulated pipes

Lp(A) cc: Sound pressure level in accordance with ISO 3746 in a free field at 1m with noise enclosure and with sound insulated pipes

Performances related to atmospheric air:
abs. pressure 1,013 mbar
Temperature 20° C
Humidity 50%
Specific weight 1.2 kg/m³

For performances with gases other than atmospheric air or at non-standard conditions contact your Authorized ROBUSCHI representative

Tolerance on performances: in accordance with the Robuschi TE1.S.0015 specification

DP (mbar)	Poles rpm	4										2
		900	1000	1200	1400	1500	1600	1800	2000	2200	2400	
300	Q1 m ³ /min	30,4	34,6	42,8	51,1	55,3	59,4	67,7	76,0	84,2	92,5	
	DT °C	30	30	29	28	28	28	27	27	27	27	
	Nsof kW	19,4	21,7	26,6	31,8	34,5	37,3	43,3	49,6	56,5	63,9	
	Nmot kW	22	30	30	37	45	45	55	75	75	75	
	Lp(A) sc	77	79	83	86	87	88	90	93	94	96	
	Lp(A) cc	<70	<70	<70	<70	<70	<70	<70	<70	71	72	74
400	Q1 m ³ /min	29,4	33,5	41,8	50,1	54,2	58,4	66,6	74,9	83,2	91,5	
	DT °C	42	41	39	38	38	38	37	37	36	36	
	Nsof kW	25,6	28,6	34,9	41,5	44,9	48,4	55,7	63,4	71,7	80,5	
	Nmot kW	30	37	45	55	55	55	75	75	90	90	
	Lp(A) sc	78	80	84	87	88	90	92	94	96	98	
	Lp(A) cc	<70	<70	<70	<70	<70	<70	<70	72	74	76	
500	Q1 m ³ /min	28,4	32,6	40,9	49,1	53,3	57,4	65,7	74,0	82,3	90,5	
	DT °C	54	53	50	49	48	48	47	46	46	45	
	Nsof kW	31,8	35,5	43,2	51,1	55,2	59,4	68,1	77,2	86,9	97,0	
	Nmot kW	37	45	55	75	75	75	90	90	110	110	
	Lp(A) sc	80	82	85	88	90	91	93	95	97	99	
	Lp(A) cc	<70	<70	<70	<70	<70	<70	71	73	75	77	
600	Q1 m ³ /min	27,6	31,7	40,0	48,3	52,4	56,6	64,9	73,1	81,4	89,7	
	DT °C	67	65	62	60	59	58	57	56	55	55	
	Nsof kW	38,0	42,4	51,5	60,8	65,6	70,5	80,5	91,0	102,0	113,6	
	Nmot kW	45	55	75	75	75	90	90	110	132	132	
	Lp(A) sc	81	83	87	90	91	92	95	97	99	100	
	Lp(A) cc	<70	<70	<70	<70	<70	70	73	75	77	78	
700	Q1 m ³ /min	26,8	31,0	39,2	47,5	51,7	55,8	64,1	72,4	80,6	88,9	
	DT °C	80	77	73	71	70	69	67	66	65	65	
	Nsof kW	44,2	49,3	59,7	70,4	75,9	81,5	92,9	104,8	117,2	130,2	
	Nmot kW	55	55	75	90	90	90	110	132	132	160	
	Lp(A) sc	82	84	88	91	92	94	96	98	100	102	
	Lp(A) cc	<70	<70	<70	<70	70	72	74	76	78	80	
800	Q1 m ³ /min	26,1	30,2	38,5	46,8	50,9	55,1	63,4	71,6	79,9	88,2	
	DT °C	94	91	85	82	81	80	78	76	75	74	
	Nsof kW	50,4	56,2	68,0	80,1	86,3	92,5	105,4	118,6	132,4	146,7	
	Nmot kW	75	75	90	90	110	110	132	132	160	160	
	Lp(A) sc	84	86	89	92	94	95	97	99	101	103	
	Lp(A) cc	<70	<70	<70	70	72	73	75	77	79	81	
900	Q1 m ³ /min	25,4	29,6	37,8	46,1	50,3	54,4	62,7	71,0	79,2	87,5	
	DT °C	109	104	98	93	92	91	88	87	85	84	
	Nsof kW	56,6	63,1	76,3	89,8	96,6	103,6	117,8	132,4	147,6	163,3	
	Nmot kW	75	75	90	110	110	132	132	160	160	200	
	Lp(A) sc	85	87	90	93	95	96	98	100	102	104	
	Lp(A) cc	<70	<70	<70	71	73	74	76	78	80	82	
1000	Q1 m ³ /min				45,5	49,6	53,8	62,0	70,3	78,6	86,9	
	DT °C				105	103	102	99	97	96	95	
	Nsof kW				99,4	107,0	114,6	130,2	146,2	162,8	179,8	
	Nmot kW				110	132	132	160	160	200	200	
	Lp(A) sc				94	96	97	99	101	103	105	
	Lp(A) cc				72	74	75	77	79	81	83	



RBS 125

Vacuum operation

Nsof: Blower absorbed power

Nmot: Advised motor power

Lp(A) sc: Sound pressure level in accordance with ISO 3746 in a free field at 1m without noise enclosure and with sound insulated pipes

Lp(A) cc: Sound pressure level in accordance with ISO 3746 in a free field at 1m with noise enclosure and with sound insulated pipes

Performances related to atmospheric air:
abs. pressure 1,013 mbar
Temperature 20° C
Humidity 50%
Specific weight 1.2 kg/m³

For performances with gases other than atmospheric air or at non-standard conditions contact your Authorized ROBUSCHI representative

Tolerance on performances: in accordance with the Robuschi TE1.S.0015 specification

DP (mbar)	Poles rpm	4										2
		900	1000	1200	1400	1500	1600	1800	2000	2200	2400	
200	Q1 m ³ /min	31,0	35,2	43,5	51,7	55,9	60,0	68,3	76,6	84,9	93,1	
	DT °C	25	24	24	23	23	23	22	22	22	22	
	Nsof kW	13,2	14,8	18,3	22,1	24,2	26,3	30,8	35,8	41,3	47,4	
	Nmot kW	15	18,5	22	30	30	30	37	45	55	55	
	Lp(A) sc	76	78	82	85	86	87	90	92	94	95	
	Lp(A) cc	<70	<70	<70	<70	<70	<70	<70	<70	72	73	
250	Q1 m ³ /min	30,1	34,2	42,5	50,8	54,9	59,1	67,3	75,6	83,9	92,2	
	DT °C	34	33	32	31	31	31	30	30	30	30	
	Nsof kW	16,3	18,3	22,5	27,0	29,4	31,8	37,1	42,7	48,9	55,6	
	Nmot kW	18,5	22	30	37	37	37	45	55	55	75	
	Lp(A) sc	77	79	83	86	87	89	91	93	95	97	
	Lp(A) cc	<70	<70	<70	<70	<70	<70	<70	71	73	75	
300	Q1 m ³ /min	29,1	33,3	41,5	49,8	54,0	58,1	66,4	74,7	82,9	91,2	
	DT °C	45	44	42	41	41	40	40	39	39	38	
	Nsof kW	19,4	21,7	26,6	31,8	34,5	37,3	43,3	49,6	56,5	63,9	
	Nmot kW	22	30	30	37	45	45	55	75	75	75	
	Lp(A) sc	79	81	84	87	89	90	92	94	96	98	
	Lp(A) cc	<70	<70	<70	<70	<70	<70	70	72	74	76	
350	Q1 m ³ /min	28,1	32,3	40,6	48,8	53,0	57,1	65,4	73,7	82,0	90,2	
	DT °C	59	57	54	52	52	51	50	50	49	49	
	Nsof kW	22,5	25,2	30,8	36,6	39,7	42,9	49,5	56,5	64,1	72,2	
	Nmot kW	30	30	37	45	45	55	75	75	75	90	
	Lp(A) sc	80	82	86	89	90	92	94	96	98	99	
	Lp(A) cc	<70	<70	<70	<70	<70	<70	72	74	76	77	
400	Q1 m ³ /min	27,1	31,3	39,5	47,8	52,0	56,1	64,4	72,7	80,9	89,2	
	DT °C	75	72	69	66	65	65	63	62	61	61	
	Nsof kW	25,6	28,6	34,9	41,5	44,9	48,4	55,7	63,4	71,7	80,5	
	Nmot kW	30	37	45	55	55	55	75	75	90	90	
	Lp(A) sc	82	84	88	91	92	93	96	98	99	101	
	Lp(A) cc	<70	<70	<70	<70	<70	71	74	76	77	79	
450	Q1 m ³ /min	26,0	30,2	38,5	46,7	50,9	55,0	63,3	71,6	79,9	88,1	
	DT °C	96	92	86	83	82	81	79	77	76	75	
	Nsof kW	28,7	32,1	39,0	46,3	50,1	53,9	61,9	70,3	79,3	88,8	
	Nmot kW	37	37	45	55	75	75	75	90	90	110	
	Lp(A) sc	84	86	89	92	94	95	97	99	101	103	
	Lp(A) cc	<70	<70	<70	70	72	73	75	77	79	81	
500	Q1 m ³ /min			37,3	45,6	49,7	53,8	62,1	70,4	78,7	87,0	
	DT °C			109	104	102	100	98	96	94	93	
	Nsof kW			43,2	51,1	55,2	59,4	68,1	77,2	86,9	97,0	
	Nmot kW			55	75	75	75	90	90	110	110	
	Lp(A) sc			91	94	96	97	99	101	103	105	
	Lp(A) cc			<70	72	74	75	77	79	81	83	
550	Q1 m ³ /min											
	DT °C											
	Nsof kW											
	Nmot kW											
	Lp(A) sc											
	Lp(A) cc											



RBS 126

Pressure operation

Nsof: Blower absorbed power

Nmot: Advised motor power

Lp(A) sc: Sound pressure level in accordance with ISO 3746 in a free field at 1m without noise enclosure and with sound insulated pipes

Lp(A) cc: Sound pressure level in accordance with ISO 3746 in a free field at 1m with noise enclosure and with sound insulated pipes

Performances related to atmospheric air:
abs. pressure 1,013 mbar
Temperature 20° C
Humidity 50%
Specific weight 1.2 kg/m³

For performances with gases other than atmospheric air or at non-standard conditions contact your Authorized ROBUSCHI representative

Tolerance on performances: in accordance with the Robuschi TE1.S.0015 specification

DP (mbar)	Poles rpm	4										2
		900	1000	1200	1400	1500	1600	1800	2000	2200	2400	
300	Q1 m ³ /min	41,9	47,8	59,6	71,4	77,3	83,2	95,1	106,9	118,7	130,5	
	DT °C	31	31	30	29	28	28	28	27	27	27	
	Nsof kW	27,4	30,7	37,4	44,5	48,2	51,9	59,8	68,2	77,1	86,7	
	Nmot kW	37	37	45	55	55	75	75	90	90	110	
	Lp(A) sc	80	82	86	89	90	91	93	96	97	99	
	Lp(A) cc	<70	<70	<70	<70	<70	<70	71	74	75	77	
400	Q1 m ³ /min	40,1	46,0	57,8	69,7	75,6	81,5	93,3	105,1	116,9	128,8	
	DT °C	44	42	41	39	39	38	38	37	37	36	
	Nsof kW	36,3	40,5	49,2	58,3	62,9	67,7	77,6	87,9	98,8	110,3	
	Nmot kW	45	55	55	75	75	90	90	110	110	132	
	Lp(A) sc	81	83	87	90	91	93	95	97	99	101	
	Lp(A) cc	<70	<70	<70	<70	<70	71	73	75	77	79	
500	Q1 m ³ /min	38,6	44,5	56,3	68,1	74,0	79,9	91,8	103,6	115,4	127,2	
	DT °C	57	55	52	50	49	49	48	47	47	46	
	Nsof kW	45,2	50,4	61,1	72,1	77,7	83,5	95,3	107,6	120,5	134,0	
	Nmot kW	55	75	75	90	90	110	110	132	132	160	
	Lp(A) sc	83	85	88	91	93	94	96	98	100	102	
	Lp(A) cc	<70	<70	<70	<70	71	72	74	76	78	80	
600	Q1 m ³ /min	37,2	43,1	54,9	66,7	72,6	78,5	90,4	102,2	114,0	125,8	
	DT °C	71	68	64	61	61	60	58	57	57	56	
	Nsof kW	54,0	60,2	72,9	85,9	92,5	99,2	113,0	127,3	142,2	157,6	
	Nmot kW	75	75	90	110	110	132	132	160	160	200	
	Lp(A) sc	84	86	90	93	94	95	98	100	102	103	
	Lp(A) cc	<70	<70	<70	71	72	73	76	78	80	81	
700	Q1 m ³ /min	35,9	41,8	53,6	65,4	71,3	77,3	89,1	100,9	112,7	124,5	
	DT °C	86	82	77	73	72	71	69	68	67	66	
	Nsof kW	62,9	70,1	84,7	99,7	107,3	115,0	130,8	147,0	163,8	181,2	
	Nmot kW	75	90	110	110	132	132	160	160	200	200	
	Lp(A) sc	85	87	91	94	95	97	99	101	103	105	
	Lp(A) cc	<70	<70	<70	72	73	75	77	79	81	83	
800	Q1 m ³ /min											
	DT °C											
	Nsof kW											
	Nmot kW											
	Lp(A) sc											
	Lp(A) cc											
900	Q1 m ³ /min											
	DT °C											
	Nsof kW											
	Nmot kW											
	Lp(A) sc											
	Lp(A) cc											
1000	Q1 m ³ /min											
	DT °C											
	Nsof kW											
	Nmot kW											
	Lp(A) sc											
	Lp(A) cc											



RBS 126

Vacuum operation

Nsof: Blower absorbed power

Nmot: Advised motor power

Lp(A) sc: Sound pressure level in accordance with ISO 3746 in a free field at 1m without noise enclosure and with sound insulated pipes

Lp(A) cc: Sound pressure level in accordance with ISO 3746 in a free field at 1m with noise enclosure and with sound insulated pipes

Performances related to atmospheric air:
abs. pressure 1,013 mbar
Temperature 20° C
Humidity 50%
Specific weight 1.2 kg/m³

For performances with gases other than atmospheric air or at non-standard conditions contact your Authorized ROBUSCHI representative

Tolerance on performances: in accordance with the Robuschi TE1.S.0015 specification

DP (mbar)	Poles rpm	4										2
		900	1000	1200	1400	1500	1600	1800	2000	2200	2400	
200	Q1 m ³ /min	42,9	48,8	60,6	72,4	78,3	84,2	96,1	107,9	119,7	131,5	
	DT °C	26	25	24	24	23	23	23	23	22	22	
	Nsof kW	18,6	20,8	25,6	30,7	33,4	36,2	42,1	48,5	55,5	63,0	
	Nmot kW	22	30	30	37	45	45	55	55	75	75	
	Lp(A) sc	79	81	85	88	89	90	93	95	97	98	
	Lp(A) cc	<70	<70	<70	<70	<70	<70	71	73	75	76	
250	Q1 m ³ /min	41,3	47,2	59,0	70,8	76,7	82,6	94,5	106,3	118,1	129,9	
	DT °C	35	34	33	32	32	31	31	31	30	30	
	Nsof kW	23,0	25,8	31,5	37,6	40,8	44,1	51,0	58,4	66,3	74,9	
	Nmot kW	30	30	37	45	55	55	75	75	90	90	
	Lp(A) sc	80	82	86	89	90	92	94	96	98	100	
	Lp(A) cc	<70	<70	<70	<70	<70	<70	72	74	76	78	
300	Q1 m ³ /min	39,7	45,6	57,4	69,2	75,1	81,1	92,9	104,7	116,5	128,3	
	DT °C	47	46	44	42	42	41	40	40	39	39	
	Nsof kW	27,4	30,7	37,4	44,5	48,2	51,9	59,8	68,2	77,1	86,7	
	Nmot kW	37	37	45	55	55	75	75	90	90	110	
	Lp(A) sc	82	84	87	90	92	93	95	97	99	101	
	Lp(A) cc	<70	<70	<70	<70	<70	71	73	75	77	79	
350	Q1 m ³ /min	38,1	44,0	55,8	67,6	73,5	79,4	91,3	103,1	114,9	126,7	
	DT °C	62	59	56	54	53	53	52	51	50	49	
	Nsof kW	31,9	35,6	43,3	51,4	55,6	59,8	68,7	78,1	88,0	98,5	
	Nmot kW	37	45	55	75	75	90	90	110	110	132	
	Lp(A) sc	83	85	89	92	93	95	97	99	101	102	
	Lp(A) cc	<70	<70	<70	<70	71	73	75	77	79	80	
400	Q1 m ³ /min	36,4	42,3	54,1	65,9	71,8	77,7	89,6	101,4	113,2	125,0	
	DT °C	80	76	72	69	67	66	65	64	63	62	
	Nsof kW	36,3	40,5	49,2	58,3	62,9	67,7	77,6	87,9	98,8	110,3	
	Nmot kW	45	55	55	75	75	90	90	110	110	132	
	Lp(A) sc	85	87	91	94	95	96	99	101	102	104	
	Lp(A) cc	<70	<70	<70	72	73	74	77	79	80	82	
450	Q1 m ³ /min				64,1	70,0	76,0	87,8	99,6	111,4	123,2	
	DT °C				86	85	83	81	79	78	77	
	Nsof kW				65,2	70,3	75,6	86,4	97,8	109,7	122,1	
	Nmot kW				75	90	90	110	110	132	132	
	Lp(A) sc				95	97	98	100	102	104	106	
	Lp(A) cc				73	75	76	78	80	82	84	
500	Q1 m ³ /min											
	DT °C											
	Nsof kW											
	Nmot kW											
	Lp(A) sc											
	Lp(A) cc											
550	Q1 m ³ /min											
	DT °C											
	Nsof kW											
	Nmot kW											
	Lp(A) sc											
	Lp(A) cc											



RBS 135

Pressure operation

Nsof: Blower absorbed power

Nmot: Advised motor power

Lp(A) sc: Sound pressure level in accordance with ISO 3746 in a free field at 1m without noise enclosure and with sound insulated pipes

Lp(A) cc: Sound pressure level in accordance with ISO 3746 in a free field at 1m with noise enclosure and with sound insulated pipes

Performances related to atmospheric air:
abs. pressure 1,013 mbar
Temperature 20° C
Humidity 50%
Specific weight 1.2 kg/m³

For performances with gases other than atmospheric air or at non-standard conditions contact your Authorized ROBUSCHI representative

Tolerance on performances: in accordance with the Robuschi TE1.S.0015 specification

DP (mbar)	Poles rpm	4									
		900	1000	1100	1200	1300	1400	1500	1600	1700	1800
300	Q1 m ³ /min	45,5	51,5	57,5	63,5	69,5	75,5	81,5	87,5	93,5	99,5
	DT °C	29	29	28	28	28	28	27	27	27	27
	Nsof kW	28,2	31,7	35,3	38,9	42,7	46,7	50,7	55,0	59,4	63,9
	Nmot kW	37	37	45	45	55	55	75	75	75	75
	Lp(A) sc	78	80	82	84	85	87	88	89	90	91
	Lp(A) cc	<70	<70	<70	<70	<70	<70	<70	<70	<70	<70
400	Q1 m ³ /min	44,2	50,2	56,2	62,2	68,2	74,2	80,2	86,2	92,2	98,2
	DT °C	40	39	39	38	38	37	37	37	37	36
	Nsof kW	37,2	41,7	46,3	50,9	55,7	60,7	65,7	71,0	76,4	81,9
	Nmot kW	45	55	55	75	75	75	90	90	90	90
	Lp(A) sc	79	81	83	85	87	88	89	91	92	93
	Lp(A) cc	<70	<70	<70	<70	<70	<70	<70	<70	<70	<70
500	Q1 m ³ /min	43,1	49,1	55,1	61,1	67,1	73,1	79,1	85,1	91,1	97,1
	DT °C	52	51	50	49	48	47	47	47	46	46
	Nsof kW	46,2	51,7	57,3	62,9	68,7	74,7	80,7	87,0	93,4	99,9
	Nmot kW	55	75	75	75	90	90	90	110	110	110
	Lp(A) sc	81	83	85	86	88	89	91	92	93	94
	Lp(A) cc	<70	<70	<70	<70	<70	<70	<70	<70	<70	<70
600	Q1 m ³ /min	42,0	48,0	54,0	60,0	66,0	72,0	78,0	84,0	90,0	96,0
	DT °C	64	62	61	59	59	58	57	57	56	56
	Nsof kW	55,2	61,7	68,3	74,9	81,7	88,7	95,7	103,0	110,4	117,9
	Nmot kW	75	75	90	90	90	110	110	132	132	132
	Lp(A) sc	82	84	86	88	89	91	92	93	95	96
	Lp(A) cc	<70	<70	<70	<70	<70	<70	<70	<70	<70	<70
700	Q1 m ³ /min	41,1	47,1	53,1	59,1	65,1	71,1	77,1	83,1	89,1	95,1
	DT °C	76	74	72	70	69	68	68	67	66	66
	Nsof kW	64,2	71,7	79,3	86,9	94,7	102,7	110,7	119,0	127,4	135,9
	Nmot kW	75	90	90	110	110	132	132	132	160	160
	Lp(A) sc	83	85	87	89	91	92	93	95	96	97
	Lp(A) cc	<70	<70	<70	<70	<70	<70	<70	<70	<70	<70
800	Q1 m ³ /min	40,2	46,2	52,2	58,2	64,2	70,2	76,2	82,2	88,2	94,2
	DT °C	89	86	84	82	80	79	78	77	76	76
	Nsof kW	73,2	81,7	90,3	98,9	107,7	116,7	125,7	135,0	144,4	153,9
	Nmot kW	90	90	110	110	132	132	160	160	200	200
	Lp(A) sc	85	87	89	90	92	93	95	96	97	98
	Lp(A) cc	<70	<70	<70	<70	<70	<70	<70	<70	<70	<70
900	Q1 m ³ /min	39,4	45,4	51,4	57,4	63,4	69,4	75,4	81,4	87,4	93,4
	DT °C	102	98	96	93	92	90	89	88	87	86
	Nsof kW	82,2	91,7	101,3	110,9	120,7	130,7	140,7	151,0	161,4	171,9
	Nmot kW	90	110	110	132	132	160	160	200	200	200
	Lp(A) sc	86	88	90	91	93	94	96	97	98	99
	Lp(A) cc	<70	<70	<70	<70	<70	<70	<70	<70	<70	<70
1000	Q1 m ³ /min	38,6	44,6	50,6	56,6	62,6	68,6	74,6	80,6	86,6	92,6
	DT °C	116	111	108	105	103	101	100	98	97	96
	Nsof kW	91,2	101,7	112,3	122,9	133,7	144,7	155,7	167,0	178,4	189,9
	Nmot kW	110	110	132	160	160	200	200	200	250	250
	Lp(A) sc	87	89	91	92	94	95	97	98	99	100
	Lp(A) cc	<70	<70	<70	<70	<70	<70	<70	<70	<70	<70



RBS 135

Vacuum operation

Nsof: Blower absorbed power

Nmot: Advised motor power

Lp(A) sc: Sound pressure level in accordance with ISO 3746 in a free field at 1m without noise enclosure and with sound insulated pipes

Lp(A) cc: Sound pressure level in accordance with ISO 3746 in a free field at 1m with noise enclosure and with sound insulated pipes

Performances related to atmospheric air:
abs. pressure 1,013 mbar
Temperature 20° C
Humidity 50%
Specific weight 1.2 kg/m³

For performances with gases other than atmospheric air or at non-standard conditions contact your Authorized ROBUSCHI representative

Tolerance on performances: in accordance with the Robuschi TE1.S.0015 specification

DP (mbar)	Poles rpm	4									
		900	1000	1100	1200	1300	1400	1500	1600	1700	1800
200	Q1 m ³ /min	46,3	52,3	58,3	64,3	70,3	76,3	82,3	88,3	94,3	100,3
	DT °C	24	24	23	23	23	23	23	22	22	22
	Nsof kW	19,2	21,7	24,3	26,9	29,7	32,7	35,7	39,0	42,4	45,9
	Nmot kW	22	30	30	30	37	37	45	45	55	55
	Lp(A) sc	77	79	81	83	84	86	87	88	90	91
	Lp(A) cc	<70	<70	<70	<70	<70	<70	<70	<70	<70	<70
250	Q1 m ³ /min	45,1	51,1	57,1	63,1	69,1	75,1	81,1	87,1	93,1	99,1
	DT °C	33	32	32	31	31	31	30	30	30	30
	Nsof kW	23,7	26,7	29,8	32,9	36,2	39,7	43,2	47,0	50,9	54,9
	Nmot kW	30	30	37	37	45	45	55	55	75	75
	Lp(A) sc	78	80	82	84	86	87	88	90	91	92
	Lp(A) cc	<70	<70	<70	<70	<70	<70	<70	<70	<70	<70
300	Q1 m ³ /min	43,9	49,9	55,9	61,9	67,9	73,9	79,9	85,9	91,9	97,9
	DT °C	43	42	42	41	40	40	40	39	39	39
	Nsof kW	28,2	31,7	35,3	38,9	42,7	46,7	50,7	55,0	59,4	63,9
	Nmot kW	37	37	45	45	55	55	75	75	75	75
	Lp(A) sc	80	82	84	85	87	88	90	91	92	93
	Lp(A) cc	<70	<70	<70	<70	<70	<70	<70	<70	<70	<70
350	Q1 m ³ /min	42,7	48,7	54,7	60,7	66,7	72,7	78,7	84,7	90,7	96,7
	DT °C	56	54	53	52	52	51	51	50	50	49
	Nsof kW	32,7	36,7	40,8	44,9	49,2	53,7	58,2	63,0	67,9	72,9
	Nmot kW	37	45	55	55	55	75	75	90	90	90
	Lp(A) sc	81	83	85	87	89	90	91	93	94	95
	Lp(A) cc	<70	<70	<70	<70	<70	<70	<70	<70	<70	<70
400	Q1 m ³ /min	41,5	47,5	53,5	59,5	65,5	71,5	77,5	83,5	89,5	95,5
	DT °C	71	69	67	66	65	64	63	63	62	62
	Nsof kW	37,2	41,7	46,3	50,9	55,7	60,7	65,7	71,0	76,4	81,9
	Nmot kW	45	55	55	75	75	75	90	90	90	90
	Lp(A) sc	83	85	87	89	90	92	93	94	95	97
	Lp(A) cc	<70	<70	<70	<70	<70	<70	<70	<70	<70	<70
450	Q1 m ³ /min	40,1	46,1	52,1	58,1	64,1	70,1	76,1	82,1	88,1	94,1
	DT °C	90	87	85	83	81	80	79	78	77	77
	Nsof kW	41,7	46,7	51,8	56,9	62,2	67,7	73,2	79,0	84,9	90,9
	Nmot kW	55	55	75	75	75	90	90	90	110	110
	Lp(A) sc	85	87	89	90	92	93	95	96	97	98
	Lp(A) cc	<70	<70	<70	<70	<70	<70	<70	<70	<70	<70
500	Q1 m ³ /min	38,7	44,7	50,7	56,7	62,7	68,7	74,7	80,7	86,7	92,7
	DT °C	114	110	106	104	102	100	98	97	96	95
	Nsof kW	46,2	51,7	57,3	62,9	68,7	74,7	80,7	87,0	93,4	99,9
	Nmot kW	55	75	75	75	90	90	90	110	110	110
	Lp(A) sc	87	89	91	92	94	95	97	98	99	100
	Lp(A) cc	<70	<70	<70	<70	<70	<70	<70	<70	<70	<70
550	Q1 m ³ /min										
	DT °C										
	Nsof kW										
	Nmot kW										
	Lp(A) sc										
	Lp(A) cc										



RBS 145

Pressure operation

Nsof: Blower absorbed power

Nmot: Advised motor power

Lp(A) sc: Sound pressure level in accordance with ISO 3746 in a free field at 1m without noise enclosure and with sound insulated pipes

Lp(A) cc: Sound pressure level in accordance with ISO 3746 in a free field at 1m with noise enclosure and with sound insulated pipes

Performances related to atmospheric air:
abs. pressure 1,013 mbar
Temperature 20° C
Humidity 50%
Specific weight 1.2 kg/m3

For performances with gases other than atmospheric air or at non-standard conditions contact your Authorized ROBUSCHI representative

Tolerance on performances: in accordance with the Robuschi TE1.S.0015 specification

DP (mbar)	Poles		4									
	rpm		900	1000	1100	1200	1300	1400	1500	1600	1700	1800
300	Q1	m ³ /min	66,0	74,7	83,4	92,2	100,9	109,6	118,4	127,1	135,8	144,6
	DT	°C	30	29	29	28	28	28	27	27	27	27
	Nsof	kW	40,8	45,8	50,8	56,0	61,4	66,9	72,6	78,4	84,5	90,8
	Nmot	kW	55	55	75	75	75	75	90	90	110	110
	Lp(A) sc		81	83	85	87	88	90	91	92	93	94
	Lp(A) cc		<70	<70	<70	<70	<70	<70	<70	<70	70	71
400	Q1	m ³ /min	64,0	72,8	81,5	90,2	99,0	107,7	116,4	125,1	133,9	142,6
	DT	°C	41	40	39	38	38	38	37	37	37	36
	Nsof	kW	53,9	60,3	66,8	73,5	80,3	87,2	94,4	101,7	109,3	117,0
	Nmot	kW	75	75	75	90	90	110	110	132	132	132
	Lp(A) sc		82	84	86	88	90	91	92	94	95	96
	Lp(A) cc		<70	<70	<70	<70	<70	<70	70	72	73	74
500	Q1	m ³ /min	62,3	71,1	79,8	88,5	97,2	106,0	114,7	123,4	132,2	140,9
	DT	°C	52	51	50	49	48	48	47	47	46	46
	Nsof	kW	67,0	74,9	82,8	90,9	99,2	107,6	116,2	125,0	134,0	143,2
	Nmot	kW	75	90	90	110	110	132	132	160	160	160
	Lp(A) sc		84	86	88	89	91	92	94	95	96	97
	Lp(A) cc		<70	<70	<70	<70	<70	70	72	73	74	75
600	Q1	m ³ /min	60,8	69,5	78,2	87,0	95,7	104,4	113,2	121,9	130,6	139,3
	DT	°C	64	62	61	60	59	58	57	57	56	56
	Nsof	kW	80,1	89,4	98,8	108,4	118,1	128,0	138,0	148,3	158,7	169,4
	Nmot	kW	90	110	110	132	132	160	160	200	200	200
	Lp(A) sc		85	87	89	91	92	94	95	96	98	99
	Lp(A) cc		<70	<70	<70	<70	70	72	73	74	76	77
700	Q1	m ³ /min	59,3	68,1	76,8	85,5	94,3	103,0	111,7	120,5	129,2	137,9
	DT	°C	77	74	72	71	70	69	68	67	66	66
	Nsof	kW	93,2	104,0	114,8	125,8	137,0	148,4	159,9	171,6	183,5	195,6
	Nmot	kW	110	132	132	160	160	200	200	250	250	250
	Lp(A) sc		86	88	90	92	94	95	96	98	99	100
	Lp(A) cc		<70	<70	<70	70	72	73	74	76	77	78
800	Q1	m ³ /min	58,0	66,7	75,5	84,2	92,9	101,7	110,4	119,1	127,9	136,6
	DT	°C	90	86	84	82	81	79	78	78	77	76
	Nsof	kW	106,3	118,5	130,8	143,3	155,9	168,7	181,7	194,8	208,2	221,8
	Nmot	kW	132	132	160	160	200	200	250	250	250	250
	Lp(A) sc		88	90	92	93	95	96	98	99	100	101
	Lp(A) cc		<70	<70	<70	71	73	74	76	77	78	79
900	Q1	m ³ /min	56,8	65,5	74,2	83,0	91,7	100,4	109,2	117,9	126,6	135,3
	DT	°C	103	99	96	94	92	91	89	88	87	86
	Nsof	kW	119,4	133,1	146,8	160,8	174,8	189,1	203,5	218,1	232,9	248,0
	Nmot	kW	132	160	160	200	200	250	250	250	315	315
	Lp(A) sc		89	91	93	94	96	97	99	100	101	102
	Lp(A) cc		<70	<70	71	72	74	75	77	78	79	80
1000	Q1	m ³ /min			73,1	81,8	90,5	99,2	108,0	116,7	125,4	134,2
	DT	°C			109	106	104	102	100	99	98	97
	Nsof	kW			162,8	178,2	193,8	209,5	225,3	241,4	257,7	274,1
	Nmot	kW			200	200	250	250	250	315	315	315
	Lp(A) sc				94	95	97	98	100	101	102	103
	Lp(A) cc				72	73	75	76	78	79	80	81



RBS 145

Vacuum operation

Nsof: Blower absorbed power

Nmot: Advised motor power

Lp(A) sc: Sound pressure level in accordance with ISO 3746 in a free field at 1m without noise enclosure and with sound insulated pipes

Lp(A) cc: Sound pressure level in accordance with ISO 3746 in a free field at 1m with noise enclosure and with sound insulated pipes

Performances related to atmospheric air:
abs. pressure 1,013 mbar
Temperature 20° C
Humidity 50%
Specific weight 1.2 kg/m3

For performances with gases other than atmospheric air or at non-standard conditions contact your Authorized ROBUSCHI representative

Tolerance on performances: in accordance with the Robuschi TE1.S.0015 specification

DP (mbar)	Poles		4									
	rpm		900	1000	1100	1200	1300	1400	1500	1600	1700	1800
200	Q1	m ³ /min	67,1	75,8	84,6	93,3	102,0	110,7	119,5	128,2	136,9	145,7
	DT	°C	24	24	23	23	23	23	23	22	22	22
	Nsof	kW	27,7	31,2	34,8	38,5	42,4	46,5	50,7	55,2	59,8	64,6
	Nmot	kW	37	37	45	45	55	55	75	75	75	75
	Lp(A) sc		80	82	84	86	87	89	90	91	93	94
	Lp(A) cc		<70	<70	<70	<70	<70	<70	<70	<70	71	72
250	Q1	m ³ /min	65,3	74,1	82,8	91,5	100,3	109,0	117,7	126,4	135,2	143,9
	DT	°C	33	32	32	31	31	31	31	30	30	30
	Nsof	kW	34,3	38,5	42,8	47,3	51,9	56,7	61,7	66,8	72,2	77,7
	Nmot	kW	45	45	55	55	75	75	75	75	90	90
	Lp(A) sc		81	83	85	87	89	90	91	93	94	95
	Lp(A) cc		<70	<70	<70	<70	<70	<70	<70	71	72	73
300	Q1	m ³ /min	63,6	72,3	81,0	89,8	98,5	107,2	115,9	124,7	133,4	142,1
	DT	°C	44	43	42	41	41	40	40	39	39	39
	Nsof	kW	40,8	45,8	50,8	56,0	61,4	66,9	72,6	78,4	84,5	90,8
	Nmot	kW	55	55	75	75	75	75	90	90	110	110
	Lp(A) sc		83	85	87	88	90	91	93	94	95	96
	Lp(A) cc		<70	<70	<70	<70	<70	<70	71	72	73	74
350	Q1	m ³ /min	61,8	70,5	79,2	88,0	96,7	105,4	114,1	122,9	131,6	140,3
	DT	°C	56	55	54	53	52	51	51	50	50	49
	Nsof	kW	47,4	53,0	58,8	64,7	70,8	77,1	83,5	90,1	96,9	103,9
	Nmot	kW	55	75	75	75	90	90	110	110	110	132
	Lp(A) sc		84	86	88	90	92	93	94	96	97	98
	Lp(A) cc		<70	<70	<70	<70	<70	71	72	74	75	76
400	Q1	m ³ /min	59,9	68,6	77,3	86,1	94,8	103,5	112,3	121,0	129,7	138,5
	DT	°C	72	69	68	66	65	64	64	63	62	62
	Nsof	kW	53,9	60,3	66,8	73,5	80,3	87,2	94,4	101,7	109,3	117,0
	Nmot	kW	75	75	75	90	90	110	110	132	132	132
	Lp(A) sc		86	88	90	92	93	95	96	97	98	100
	Lp(A) cc		<70	<70	<70	<70	71	73	74	75	76	78
450	Q1	m ³ /min	57,9	66,6	75,4	84,1	92,8	101,5	110,3	119,0	127,7	136,5
	DT	°C	91	88	85	83	82	81	79	79	78	77
	Nsof	kW	60,5	67,6	74,8	82,2	89,7	97,4	105,3	113,4	121,6	130,1
	Nmot	kW	75	90	90	90	110	110	132	132	132	160
	Lp(A) sc		88	90	92	93	95	96	98	99	100	101
	Lp(A) cc		<70	<70	<70	71	73	74	76	77	78	79
500	Q1	m ³ /min			73,2	81,9	90,7	99,4	108,1	116,8	125,6	134,3
	DT	°C			107	104	102	100	99	98	96	95
	Nsof	kW			82,8	90,9	99,2	107,6	116,2	125,0	134,0	143,2
	Nmot	kW			90	110	110	132	132	160	160	160
	Lp(A) sc				94	95	97	98	100	101	102	103
	Lp(A) cc				72	73	75	76	78	79	80	81
550	Q1	m ³ /min										
	DT	°C										
	Nsof	kW										
	Nmot	kW										
	Lp(A) sc											
	Lp(A) cc											



RBS 155

Pressure operation

Nsof: Blower absorbed power

Nmot: Advised motor power

Lp(A) sc: Sound pressure level in accordance with ISO 3746 in a free field at 1m without noise enclosure and with sound insulated pipes

Lp(A) cc: Sound pressure level in accordance with ISO 3746 in a free field at 1m with noise enclosure and with sound insulated pipes

Performances related to atmospheric air:
abs. pressure 1,013 mbar
Temperature 20° C
Humidity 50%
Specific weight 1.2 kg/m3

For performances with gases other than atmospheric air or at non-standard conditions contact your Authorized ROBUSCHI representative

Tolerance on performances: in accordance with the Robuschi TE1.S.0015 specification

DP (mbar)	Poles rpm	4									
		900	1000	1100	1200	1300	1400	1500	1600	1700	1800
300	Q1 m³/min	83,4	94,1	104,8	115,6	126,3	137,1	147,8	158,5	169,3	180,0
	DT °C	29	28	28	28	27	27	27	27	27	27
	Nsof kW	50,1	56,1	62,3	68,6	75,1	81,8	88,7	95,8	103,1	110,7
	Nmot kW	75	75	75	90	90	90	110	110	132	132
	Lp(A) sc	84	86	88	90	91	93	94	95	96	97
	Lp(A) cc	<70	<70	<70	<70	<70	71	72	73	74	75
400	Q1 m³/min	81,3	92,0	102,8	113,5	124,3	135,0	145,7	156,5	167,2	178,0
	DT °C	39	39	38	38	37	37	37	36	36	36
	Nsof kW	66,2	74,0	82,0	90,1	98,4	106,8	115,5	124,4	133,5	142,9
	Nmot kW	75	90	90	110	110	132	132	160	160	160
	Lp(A) sc	85	87	89	91	93	94	95	97	98	99
	Lp(A) cc	<70	<70	<70	<70	71	72	73	75	76	77
500	Q1 m³/min	79,5	90,2	101,0	111,7	122,4	133,2	143,9	154,7	165,4	176,1
	DT °C	50	49	48	48	47	47	46	46	46	45
	Nsof kW	82,3	91,9	101,6	111,5	121,6	131,9	142,4	153,0	163,9	175,1
	Nmot kW	90	110	110	132	132	160	160	200	200	200
	Lp(A) sc	87	89	91	92	94	95	97	98	99	100
	Lp(A) cc	<70	<70	<70	70	72	73	75	76	77	78
600	Q1 m³/min	77,8	88,6	99,3	110,1	120,8	131,5	142,3	153,0	163,8	174,5
	DT °C	62	60	59	58	57	57	56	56	55	55
	Nsof kW	98,4	109,8	121,3	133,0	144,9	156,9	169,2	181,7	194,4	207,3
	Nmot kW	110	132	132	160	160	200	200	250	250	250
	Lp(A) sc	88	90	92	94	95	97	98	99	101	102
	Lp(A) cc	<70	<70	70	72	73	75	76	77	79	80
700	Q1 m³/min	76,3	87,1	97,8	108,6	119,3	130,0	140,8	151,5	162,3	173,0
	DT °C	73	71	70	69	68	67	66	66	65	65
	Nsof kW	114,5	127,7	141,0	154,5	168,2	182,0	196,1	210,3	224,8	239,5
	Nmot kW	132	160	160	200	200	250	250	250	250	315
	Lp(A) sc	89	91	93	95	97	98	99	101	102	103
	Lp(A) cc	<70	<70	71	73	75	76	77	79	80	81
800	Q1 m³/min										
	DT °C										
	Nsof kW										
	Nmot kW										
	Lp(A) sc										
	Lp(A) cc										
900	Q1 m³/min										
	DT °C										
	Nsof kW										
	Nmot kW										
	Lp(A) sc										
	Lp(A) cc										
1000	Q1 m³/min										
	DT °C										
	Nsof kW										
	Nmot kW										
	Lp(A) sc										
	Lp(A) cc										



RBS 155

Vacuum operation

Nsof: Blower absorbed power

Nmot: Advised motor power

Lp(A) sc: Sound pressure level in accordance with ISO 3746 in a free field at 1m without noise enclosure and with sound insulated pipes

Lp(A) cc: Sound pressure level in accordance with ISO 3746 in a free field at 1m with noise enclosure and with sound insulated pipes

Performances related to atmospheric air:
abs. pressure 1,013 mbar
Temperature 20° C
Humidity 50%
Specific weight 1.2 kg/m3

For performances with gases other than atmospheric air or at non-standard conditions contact your Authorized ROBUSCHI representative

Tolerance on performances: in accordance with the Robuschi TE1.S.0015 specification

DP (mbar)	Poles rpm	4									
		900	1000	1100	1200	1300	1400	1500	1600	1700	1800
200	Q1 m³/min	84,5	95,3	106,0	116,8	127,5	138,2	149,0	159,7	170,5	181,2
	DT °C	24	23	23	23	23	22	22	22	22	22
	Nsof kW	34,0	38,2	42,6	47,1	51,8	56,7	61,8	67,1	72,7	78,4
	Nmot kW	45	45	55	55	75	75	75	75	90	90
	Lp(A) sc	83	85	87	89	90	92	93	94	96	97
	Lp(A) cc	<70	<70	<70	<70	<70	<70	71	72	74	75
250	Q1 m³/min	82,7	93,4	104,1	114,9	125,6	136,4	147,1	157,8	168,6	179,3
	DT °C	32	32	31	31	30	30	30	30	30	30
	Nsof kW	42,0	47,2	52,4	57,8	63,4	69,2	75,2	81,4	87,9	94,5
	Nmot kW	55	55	75	75	75	90	90	90	110	110
	Lp(A) sc	84	86	88	90	92	93	94	96	97	98
	Lp(A) cc	<70	<70	<70	<70	<70	71	72	74	75	76
300	Q1 m³/min	80,8	91,5	102,3	113,0	123,8	134,5	145,2	156,0	166,7	177,5
	DT °C	42	41	41	40	40	39	39	39	39	38
	Nsof kW	50,1	56,1	62,3	68,6	75,1	81,8	88,7	95,8	103,1	110,7
	Nmot kW	75	75	75	90	90	90	110	110	132	132
	Lp(A) sc	86	88	90	91	93	94	96	97	98	99
	Lp(A) cc	<70	<70	<70	<70	71	72	74	75	76	77
350	Q1 m³/min	78,9	89,6	100,4	111,1	121,9	132,6	143,3	154,1	164,8	175,6
	DT °C	54	53	52	51	51	50	50	49	49	49
	Nsof kW	58,1	65,1	72,1	79,3	86,7	94,3	102,1	110,1	118,3	126,8
	Nmot kW	75	75	90	90	110	110	132	132	132	160
	Lp(A) sc	87	89	91	93	95	96	97	99	100	101
	Lp(A) cc	<70	<70	<70	71	73	74	75	77	78	79
400	Q1 m³/min	76,9	87,7	98,4	109,1	119,9	130,6	141,4	152,1	162,8	173,6
	DT °C	69	67	66	65	64	63	62	62	61	61
	Nsof kW	66,2	74,0	82,0	90,1	98,4	106,8	115,5	124,4	133,5	142,9
	Nmot kW	75	90	90	110	110	132	132	160	160	160
	Lp(A) sc	89	91	93	95	96	98	99	100	101	103
	Lp(A) cc	<70	<70	71	73	74	76	77	78	79	81
450	Q1 m³/min	74,8	85,5	96,3	107,0	117,8	128,5	139,2	150,0	160,7	171,5
	DT °C	86	84	82	81	79	78	77	77	76	75
	Nsof kW	74,2	83,0	91,8	100,8	110,0	119,4	128,9	138,7	148,7	159,0
	Nmot kW	90	90	110	110	132	132	160	160	200	200
	Lp(A) sc	91	93	95	96	98	99	101	102	103	104
	Lp(A) cc	<70	71	73	74	76	77	79	80	81	82
500	Q1 m³/min										
	DT °C										
	Nsof kW										
	Nmot kW										
	Lp(A) sc										
	Lp(A) cc										
550	Q1 m³/min										
	DT °C										
	Nsof kW										
	Nmot kW										
	Lp(A) sc										
	Lp(A) cc										



RBS 165

Pressure operation

Nsof: Blower absorbed power

Nmot: Advised motor power

Lp(A) sc: Sound pressure level in accordance with ISO 3746 in a free field at 1m without noise enclosure and with sound insulated pipes

Lp(A) cc: Sound pressure level in accordance with ISO 3746 in a free field at 1m with noise enclosure and with sound insulated pipes

Performances related to atmospheric air:
abs. pressure 1,013 mbar
Temperature 20° C
Humidity 50%
Specific weight 1.2 kg/m³

For performances with gases other than atmospheric air or at non-standard conditions contact your Authorized ROBUSCHI representative

Tolerance on performances: in accordance with the Robuschi TE1.S.0015 specification

DP (mbar)	Poles rpm	6				4					
		650	700	800	900	1000	1100	1200	1300	1400	1500
300	Q1 m ³ /min	72.6	79.4	92.9	106.4	119.9	133.4	146.9	160.4	173.9	187.4
	DT °C	30	30	29	28	28	28	27	27	27	27
	Nsof kW	50.4	54.3	62.0	69.8	77.5	85.3	93.0	100.8	108.5	116.3
	Nmot kW	75	75	75	90	90	110	110	110	132	132
	Lp(A) sc	<70	<70	<70	<70	<70	<70	<70	<70	<70	<70
	Lp(A) cc	<70	<70	<70	<70	<70	<70	<70	<70	<70	<70
400	Q1 m ³ /min	70.3	77.1	90.6	104.1	117.6	131.1	144.6	158.1	171.6	185.1
	DT °C	41	41	39	39	38	37	37	37	36	36
	Nsof kW	65.0	70.0	80.0	90.0	100.0	110.0	120.0	130.0	140.0	150.0
	Nmot kW	75	90	90	110	110	132	132	160	160	200
	Lp(A) sc	86	88	90	92	94	96	98	100	101	102
	Lp(A) cc	<70	<70	<70	<70	<70	<70	<70	<70	<70	<70
500	Q1 m ³ /min	68.3	75.0	88.5	102.0	115.5	129.0	142.5	156.0	169.5	183.0
	DT °C	53	52	50	49	48	48	47	46	46	46
	Nsof kW	79.6	85.8	98.0	110.3	122.5	134.8	147.0	159.3	171.5	183.8
	Nmot kW	90	110	110	132	160	160	160	200	200	200
	Lp(A) sc	87	89	92	94	96	98	99	101	102	104
	Lp(A) cc	<70	<70	<70	<70	<70	<70	<70	<70	<70	<70
600	Q1 m ³ /min	66.4	73.1	86.6	100.1	113.6	127.1	140.6	154.1	167.6	181.1
	DT °C	66	64	62	60	59	58	57	56	56	55
	Nsof kW	94.3	101.5	116.0	130.5	145.0	159.5	174.0	188.5	203.0	217.5
	Nmot kW	110	110	132	160	160	200	200	250	250	250
	Lp(A) sc	89	90	93	95	97	99	101	102	104	105
	Lp(A) cc	<70	<70	<70	<70	<70	<70	<70	<70	<70	<70
700	Q1 m ³ /min	64.7	71.4	84.9	98.4	111.9	125.4	138.9	152.4	165.9	179.4
	DT °C	78	77	74	71	70	68	67	67	66	65
	Nsof kW	108.9	117.3	134.0	150.8	167.5	184.3	201.0	217.8	234.5	251.3
	Nmot kW	132	132	160	200	200	200	250	250	315	315
	Lp(A) sc	90	92	94	96	98	100	102	104	105	106
	Lp(A) cc	<70	<70	<70	<70	<70	<70	<70	<70	<70	<70
800	Q1 m ³ /min	63.1	69.8	83.3	96.8	110.3	123.8	137.3	150.8	164.3	177.8
	DT °C	92	89	86	83	81	79	78	77	76	75
	Nsof kW	123.5	133.0	152.0	171.0	190.0	209.0	228.0	247.0	266.0	285.0
	Nmot kW	160	160	200	200	250	250	250	315	315	315
	Lp(A) sc	91	93	95	98	100	102	103	105	106	108
	Lp(A) cc	<70	<70	<70	<70	<70	<70	<70	<70	<70	<70
900	Q1 m ³ /min	61.6	68.3	81.8	95.3	108.8	122.3	135.8	149.3	162.8	176.3
	DT °C	106	103	98	95	92	90	89	87	86	85
	Nsof kW	138.1	148.8	170.0	191.3	212.5	233.8	255.0	276.3	297.5	318.8
	Nmot kW	160	200	200	250	250	315	315	315	355	355
	Lp(A) sc	92	94	96	99	101	103	104	106	107	109
	Lp(A) cc	70	72	74	77	79	81	82	84	85	85
1000	Q1 m ³ /min	60.2	66.9	80.4	93.9	107.4	120.9	134.4	147.9	161.4	174.9
	DT °C	121	117	111	107	104	101	100	98	97	96
	Nsof kW	152.8	164.5	188.0	211.5	235.0	258.5	282.0	305.5	329.0	352.5
	Nmot kW	200	200	250	250	315	315	315	355	400	400
	Lp(A) sc	93	95	98	100	102	104	105	107	108	110
	Lp(A) cc	71	73	76	78	80	82	83	85	85	85



RBS 165

Vacuum operation

Nsof: Blower absorbed power

Nmot: Advised motor power

Lp(A) sc: Sound pressure level in accordance with ISO 3746 in a free field at 1m without noise enclosure and with sound insulated pipes

Lp(A) cc: Sound pressure level in accordance with ISO 3746 in a free field at 1m with noise enclosure and with sound insulated pipes

Performances related to atmospheric air:
abs. pressure 1,013 mbar
Temperature 20° C
Humidity 50%
Specific weight 1.2 kg/m³

For performances with gases other than atmospheric air or at non-standard conditions contact your Authorized ROBUSCHI representative

Tolerance on performances: in accordance with the Robuschi TE1.S.0015 specification

DP (mbar)	Poles rpm	6				4					
		650	700	800	900	1000	1100	1200	1300	1400	1500
200	Q1 m ³ /min	74.0	80.7	94.2	107.7	121.2	134.7	148.2	161.7	175.2	188.7
	DT °C	24	24	24	23	23	23	23	22	22	22
	Nsof kW	35.8	38.5	44.0	49.5	55.0	60.5	66.0	71.5	77.0	82.5
	Nmot kW	45	45	55	75	75	75	90	90	90	90
	Lp(A) sc	84	85	88	90	92	94	96	97	99	100
	Lp(A) cc	<70	<70	<70	<70	<70	<70	<70	<70	<70	<70
250	Q1 m ³ /min	71.9	78.6	92.1	105.6	119.1	132.6	146.1	159.6	173.1	186.6
	DT °C	33	33	32	32	31	31	30	30	30	30
	Nsof kW	43.1	46.4	53.0	59.6	66.3	72.9	79.5	86.1	92.8	99.4
	Nmot kW	55	55	75	75	75	90	90	110	110	110
	Lp(A) sc	85	86	89	91	93	95	97	99	100	101
	Lp(A) cc	<70	<70	<70	<70	<70	<70	<70	<70	<70	<70
300	Q1 m ³ /min	69.7	76.5	90.0	103.5	117.0	130.5	144.0	157.5	171.0	184.5
	DT °C	44	44	42	41	41	40	40	39	39	39
	Nsof kW	50.4	54.3	62.0	69.8	77.5	85.3	93.0	100.8	108.5	116.3
	Nmot kW	75	75	75	90	90	110	110	110	132	132
	Lp(A) sc	86	88	91	93	95	97	98	100	101	103
	Lp(A) cc	<70	<70	<70	<70	<70	<70	<70	<70	<70	<70
350	Q1 m ³ /min	67.6	74.3	87.8	101.3	114.8	128.3	141.8	155.3	168.8	182.3
	DT °C	57	56	54	53	52	51	50	50	49	49
	Nsof kW	57.7	62.1	71.0	79.9	88.8	97.6	106.5	115.4	124.3	133.1
	Nmot kW	75	75	90	90	110	110	132	132	160	160
	Lp(A) sc	88	89	92	94	96	98	100	102	103	104
	Lp(A) cc	<70	<70	<70	<70	<70	<70	<70	<70	<70	<70
400	Q1 m ³ /min	65.3	72.1	85.6	99.1	112.6	126.1	139.6	153.1	166.6	180.1
	DT °C	73	72	69	67	66	64	63	63	62	61
	Nsof kW	65.0	70.0	80.0	90.0	100.0	110.0	120.0	130.0	140.0	150.0
	Nmot kW	75	90	90	110	110	132	132	160	160	200
	Lp(A) sc	90	91	94	96	98	100	102	103	105	106
	Lp(A) cc	<70	<70	<70	<70	<70	<70	<70	<70	<70	<70
450	Q1 m ³ /min	62.9	69.7	83.2	96.7	110.2	123.7	137.2	150.7	164.2	177.7
	DT °C	93	91	87	84	82	80	79	78	77	76
	Nsof kW	72.3	77.9	89.0	100.1	111.3	122.4	133.5	144.6	155.8	166.9
	Nmot kW	90	90	110	110	132	160	160	160	200	200
	Lp(A) sc	91	93	95	98	100	102	103	105	106	108
	Lp(A) cc	<70	<70	<70	<70	<70	<70	<70	<70	<70	<70
500	Q1 m ³ /min	60.4	67.1	80.6	94.1	107.6	121.1	134.6	148.1	161.6	175.1
	DT °C	119	115	109	105	102	100	98	97	95	94
	Nsof kW	79.6	85.8	98.0	110.3	122.5	134.8	147.0	159.3	171.5	183.8
	Nmot kW	90	110	110	132	160	160	160	200	200	200
	Lp(A) sc	93	95	97	100	102	104	105	107	108	110
	Lp(A) cc	71	73	75	78	80	82	83	85	85	85
550	Q1 m ³ /min										
	DT °C										
	Nsof kW										
	Nmot kW										
	Lp(A) sc										
	Lp(A) cc										

RBS 175

Pressure operation

Nsof: Blower absorbed power

Nmot: Advised motor power

Lp(A) sc: Sound pressure level in accordance with ISO 3746 in a free field at 1m without noise enclosure and with sound insulated pipes

Lp(A) cc: Sound pressure level in accordance with ISO 3746 in a free field at 1m with noise enclosure and with sound insulated pipes

Performances related to atmospheric air:
abs. pressure 1,013 mbar
Temperature 20° C
Humidity 50%
Specific weight 1.2 kg/m³

For performances with gases other than atmospheric air or at non-standard conditions contact your Authorized ROBUSCHI representative

Tolerance on performances: in accordance with the Robuschi TE1.S.0015 specification

DP (mbar)	Poles rpm	6						6					
		650	700	800	900	1000	1100	1200	1300	1400	1500		
300	Q1 m ³ /min	101.6	110.7	128.8	146.9	165.0	183.1	201.2	219.3	237.4	255.5		
	DT °C	29	28	28	27	27	27	27	27	26	26		
	Nsof kW	68.6	73.9	84.4	95.0	105.5	116.1	126.6	137.2	147.7	158.3		
	Nmot kW	90	90	110	110	132	132	160	160	160	200		
	Lp(A) sc	88	89	92	94	96	98	100	101	103	104		
	Lp(A) cc	<70	<70	<70	72	74	76	78	79	81	82		
400	Q1 m ³ /min	99.2	108.2	126.3	144.4	162.5	180.6	198.7	216.8	234.9	253.0		
	DT °C	39	39	38	37	37	36	36	36	36	35		
	Nsof kW	88.2	95.0	108.5	122.1	135.7	149.2	162.8	176.4	189.9	203.5		
	Nmot kW	110	110	132	160	160	200	200	200	250	250		
	Lp(A) sc	89	91	93	95	97	99	101	103	104	105		
	Lp(A) cc	<70	<70	71	73	75	77	79	81	82	83		
500	Q1 m ³ /min	97.0	106.0	124.1	142.2	160.3	178.4	196.5	214.6	232.7	250.8		
	DT °C	50	49	48	47	47	46	46	45	45	45		
	Nsof kW	107.8	116.1	132.7	149.3	165.8	182.4	199.0	215.6	232.2	248.8		
	Nmot kW	132	132	160	200	200	200	250	250	315	315		
	Lp(A) sc	90	92	95	97	99	101	102	104	105	107		
	Lp(A) cc	<70	<70	73	75	77	79	80	82	83	85		
600	Q1 m ³ /min	95.0	104.1	122.2	140.3	158.4	176.5	194.6	212.7	230.8	248.9		
	DT °C	61	60	59	58	57	56	55	55	54	54		
	Nsof kW	127.4	137.2	156.8	176.4	196.0	215.6	235.2	254.8	274.4	294.0		
	Nmot kW	160	160	200	200	250	250	315	315	315	355		
	Lp(A) sc	92	93	96	98	100	102	104	105	107	108		
	Lp(A) cc	<70	71	74	76	78	80	82	83	85	85		
700	Q1 m ³ /min	93.2	102.3	120.4	138.5	156.6	174.7	192.8	210.9	229.0	247.1		
	DT °C	73	72	70	68	67	66	65	65	64	64		
	Nsof kW	147.0	158.3	180.9	203.6	226.2	248.8	271.4	294.0	316.6	339.3		
	Nmot kW	160	200	200	250	250	315	315	355	355	400		
	Lp(A) sc	93	95	97	99	101	103	105	107	108	109		
	Lp(A) cc	71	73	75	77	79	81	83	85	85	85		
800	Q1 m ³ /min	91.5	100.6	118.7	136.8	154.9	173.0	191.1	209.2	227.3	245.4		
	DT °C	85	83	81	79	77	76	75	74	74	73		
	Nsof kW	166.6	179.4	205.1	230.7	256.3	282.0	307.6	333.2	358.9	384.5		
	Nmot kW	200	200	250	250	315	315	355	400	400	450		
	Lp(A) sc	94	96	98	101	103	105	106	108	109	111		
	Lp(A) cc	72	74	76	79	81	83	84	85	85	85		
900	Q1 m ³ /min	89.9	99.0	117.1	135.2	153.3	171.4	189.5	207.6	225.7	243.8		
	DT °C	97	95	92	90	88	86	85	84	84	83		
	Nsof kW	186.2	200.6	229.2	257.9	286.5	315.2	343.8	372.5	401.1	429.8		
	Nmot kW	250	250	250	315	315	355	400	450	450	500		
	Lp(A) sc	95	97	99	102	104	106	107	109	110	112		
	Lp(A) cc	73	75	77	80	82	84	85	85	85	85		
1000	Q1 m ³ /min	88.4	97.5	115.6	133.7	151.8	169.9	188.0	206.1	224.2	242.3		
	DT °C	110	107	104	101	99	97	95	94	93	93		
	Nsof kW	205.8	221.7	253.3	285.0	316.7	348.3	380.0	411.7	443.3	475.0		
	Nmot kW	250	250	315	315	355	400	450	450	500	500		
	Lp(A) sc	96	98	101	103	105	107	108	110	111	113		
	Lp(A) cc	74	76	79	81	83	85	85	85	85	85		

RBS 175

Vacuum operation

Nsof: Blower absorbed power

Nmot: Advised motor power

Lp(A) sc: Sound pressure level in accordance with ISO 3746 in a free field at 1m without noise enclosure and with sound insulated pipes

Lp(A) cc: Sound pressure level in accordance with ISO 3746 in a free field at 1m with noise enclosure and with sound insulated pipes

Performances related to atmospheric air:
abs. pressure 1,013 mbar
Temperature 20° C
Humidity 50%
Specific weight 1.2 kg/m³

For performances with gases other than atmospheric air or at non-standard conditions contact your Authorized ROBUSCHI representative

Tolerance on performances: in accordance with the Robuschi TE1.S.0015 specification

DP (mbar)	Poles rpm	6						4					
		650	700	800	900	1000	1100	1200	1300	1400	1500		
200	Q1 m ³ /min	103.1	112.1	130.2	148.3	166.4	184.5	202.6	220.7	238.8	256.9		
	DT °C	24	23	23	23	22	22	22	22	22	22		
	Nsof kW	49.0	52.7	60.3	67.8	75.3	82.9	90.4	97.9	105.5	113.0		
	Nmot kW	55	75	75	90	90	110	110	132	132	132		
	Lp(A) sc	87	88	91	93	95	97	99	100	102	103		
	Lp(A) cc	<70	<70	<70	71	73	75	77	78	80	81		
250	Q1 m ³ /min	100.8	109.9	128.0	146.1	164.2	182.3	200.4	218.5	236.6	254.7		
	DT °C	32	32	31	31	30	30	30	30	29	29		
	Nsof kW	58.8	63.3	72.3	81.4	90.4	99.5	108.5	117.5	126.6	135.6		
	Nmot kW	75	75	90	90	110	110	132	132	160	160		
	Lp(A) sc	88	89	92	94	96	98	100	102	103	104		
	Lp(A) cc	<70	<70	70	72	74	76	78	80	81	82		
300	Q1 m ³ /min	98.6	107.6	125.7	143.8	161.9	180.0	198.1	216.2	234.3	252.4		
	DT °C	42	41	41	40	39	39	38	38	38	38		
	Nsof kW	68.6	73.9	84.4	95.0	105.5	116.1	126.6	137.2	147.7	158.3		
	Nmot kW	90	90	110	110	132	132	160	160	160	200		
	Lp(A) sc	89	91	94	96	98	100	101	103	104	106		
	Lp(A) cc	<70	<70	72	74	76	78	79	81	82	84		
350	Q1 m ³ /min	96.3	105.3	123.4	141.5	159.6	177.7	195.8	213.9	232.0	250.1		
	DT °C	54	53	52	51	50	50	49	49	48	48		
	Nsof kW	78.4	84.4	96.5	108.5	120.6	132.6	144.7	156.8	168.8	180.9		
	Nmot kW	90	110	110	132	132	160	160	200	200	200		
	Lp(A) sc	91	92	95	97	99	101	103	105	106	107		
	Lp(A) cc	<70	70	73	75	77	79	81	83	84	85		
400	Q1 m ³ /min	93.9	102.9	121.0	139.1	157.2	175.3	193.4	211.5	229.6	247.7		
	DT °C	68	67	65	64	63	62	61	61	60	60		
	Nsof kW	88.2	95.0	108.5	122.1	135.7	149.2	162.8	176.4	189.9	203.5		
	Nmot kW	110	110	132	160	160	200	200	200	250	250		
	Lp(A) sc	93	94	97	99	101	103	105	106	108	109		
	Lp(A) cc	71	72	75	77	79	81	83	84	85	85		
450	Q1 m ³ /min	91.4	100.4	118.5	136.6	154.7	172.8	190.9	209.0	227.1	245.2		
	DT °C	86	84	82	80	78	77	76	75	75	74		
	Nsof kW	98.0	105.5	120.6	135.7	150.8	165.8	180.9	196.0	211.1	226.1		
	Nmot kW	110	132	132	160	200	200	200	250	250	250		
	Lp(A) sc	94	96	98	101	103	105	106	108	109	111		
	Lp(A) cc	72	74	76	79	81	83	84	85	85	85		
500	Q1 m ³ /min	88.6	97.7	115.8	133.9	152.0	170.1	188.2	206.3	224.4	242.5		
	DT °C	108	106	102	99	97	96	94	93	92	91		
	Nsof kW	107.8	116.1	132.7	149.3	165.8	182.4	199.0	215.6	232.2	248.8		
	Nmot kW	132	132	160	200	200	200	250	250	315	315		
	Lp(A) sc	96	98	100	103	105	107	108	110	111	113		
	Lp(A) cc	74	76	78	81	83	85	85	85	85	85		
550	Q1 m ³ /min												
	DT °C												
	Nsof kW												
	Nmot kW												
	Lp(A) sc												
	Lp(A) cc												

RBS 205

Pressure operation

Nsof: Blower absorbed power

Nmot: Advised motor power

Lp(A) sc: Sound pressure level in accordance with ISO 3746 in a free field at 1m without noise enclosure and with sound insulated pipes

Lp(A) cc: Sound pressure level in accordance with ISO 3746 in a free field at 1m with noise enclosure and with sound insulated pipes

Performances related to atmospheric air:
abs. pressure 1,013 mbar
Temperature 20° C
Humidity 50%
Specific weight 1.2 kg/m3

For performances with gases other than atmospheric air or at non-standard conditions contact your Authorized ROBUSCHI representative

Tolerance on performances: in accordance with the Robuschi TE1.S.0015 specification

DP (mbar)	Poles rpm	6						4			
		600	650	700	750	800	850	900	1000	1100	1200
300	Q1 m³/min	129.9	142.4	154.9	167.3	179.8	192.3	204.8	229.7	254.7	279.6
	DT °C	29	28	28	28	28	27	27	27	27	27
	Nsof kW	86,3	93,4	100,6	107,8	115,0	122,2	129,4	143,8	158,1	172,5
	Nmot kW	110	110	110	132	132	160	160	160	200	200
	Lp(A) sc	87	89	90	91	93	94	95	97	99	101
	Lp(A) cc	<70	<70	<70	<70	71	72	73	75	77	79
400	Q1 m³/min	126,9	139,3	151,8	164,3	176,8	189,2	201,7	226,7	251,6	276,6
	DT °C	39	38	38	38	37	37	37	36	36	36
	Nsof kW	111,2	120,5	129,7	139,0	148,3	157,5	166,8	185,3	203,9	222,4
	Nmot kW	132	132	160	160	200	200	200	250	250	250
	Lp(A) sc	89	90	92	93	94	95	96	98	100	102
	Lp(A) cc	<70	<70	<70	71	72	73	74	76	78	80
500	Q1 m³/min	124,2	136,6	149,1	161,6	174,1	186,5	199,0	224,0	248,9	273,9
	DT °C	50	49	48	48	47	47	47	46	46	45
	Nsof kW	136,2	147,5	158,8	170,2	181,5	192,9	204,2	226,9	249,6	272,3
	Nmot kW	160	160	200	200	200	250	250	250	315	315
	Lp(A) sc	90	91	93	94	96	97	98	100	102	103
	Lp(A) cc	<70	<70	71	72	74	75	76	78	80	81
600	Q1 m³/min	121,7	134,2	146,7	159,2	171,6	184,1	196,6	221,5	246,5	271,4
	DT °C	61	60	59	58	58	57	57	56	55	55
	Nsof kW	161,1	174,5	188,0	201,4	214,8	228,2	241,7	268,5	295,4	322,2
	Nmot kW	200	200	250	250	250	250	315	315	355	355
	Lp(A) sc	91	93	94	96	97	98	99	101	103	105
	Lp(A) cc	<70	71	72	74	75	76	77	79	81	83
700	Q1 m³/min	119,5	132,0	144,4	156,9	169,4	181,9	194,3	219,3	244,2	269,2
	DT °C	72	71	70	69	68	67	67	66	65	64
	Nsof kW	186,1	201,6	217,1	232,6	248,1	263,6	279,1	310,1	341,1	372,1
	Nmot kW	250	250	250	315	315	315	315	355	400	450
	Lp(A) sc	93	94	96	97	98	99	100	102	104	106
	Lp(A) cc	71	72	74	75	76	77	78	80	82	84
800	Q1 m³/min	117,4	129,9	142,4	154,8	167,3	179,8	192,3	217,2	242,2	267,1
	DT °C	84	83	81	80	79	78	77	76	75	74
	Nsof kW	211,0	228,6	246,2	263,8	281,3	298,9	316,5	351,7	386,8	422,0
	Nmot kW	250	250	315	315	315	355	355	400	450	500
	Lp(A) sc	94	95	97	98	99	101	102	104	106	107
	Lp(A) cc	72	73	75	76	77	79	80	82	84	85
900	Q1 m³/min	115,4	127,9	140,4	152,9	165,3	177,8	190,3	215,2	240,2	265,1
	DT °C	96	94	93	91	90	89	88	86	85	84
	Nsof kW	236,0	255,6	275,3	294,9	314,6	334,3	353,9	393,3	432,6	471,9
	Nmot kW	315	315	315	355	355	400	400	450	500	600
	Lp(A) sc	95	96	98	99	100	102	103	105	107	108
	Lp(A) cc	73	74	76	77	78	80	81	83	85	85
1000	Q1 m³/min	113,6	126,1	138,5	151,0	163,5	176,0	188,4	213,4	238,3	263,3
	DT °C	109	106	104	102	101	100	98	97	95	94
	Nsof kW	260,9	282,6	304,4	326,1	347,9	369,6	391,4	434,8	478,3	521,8
	Nmot kW	315	315	355	355	400	400	450	500	600	600
	Lp(A) sc	96	97	99	100	102	103	104	106	108	109
	Lp(A) cc	74	75	77	78	80	81	82	84	85	85

RBS 205

Vacuum operation

Nsof: Blower absorbed power

Nmot: Advised motor power

Lp(A) sc: Sound pressure level in accordance with ISO 3746 in a free field at 1m without noise enclosure and with sound insulated pipes

Lp(A) cc: Sound pressure level in accordance with ISO 3746 in a free field at 1m with noise enclosure and with sound insulated pipes

Performances related to atmospheric air:
abs. pressure 1,013 mbar
Temperature 20° C
Humidity 50%
Specific weight 1.2 kg/m3

For performances with gases other than atmospheric air or at non-standard conditions contact your Authorized ROBUSCHI representative

Tolerance on performances: in accordance with the Robuschi TE1.S.0015 specification

DP (mbar)	Poles rpm	6						4			
		600	650	700	750	800	850	900	1000	1100	1200
200	Q1 m³/min	131,7	144,1	156,6	169,1	181,6	194,0	206,5	231,5	256,4	281,4
	DT °C	23	23	23	23	23	23	22	22	22	22
	Nsof kW	61,3	66,4	71,5	76,6	81,7	86,8	92,0	102,2	112,4	122,6
	Nmot kW	75	75	90	90	90	110	110	132	132	160
	Lp(A) sc	86	88	89	91	92	93	94	96	98	100
	Lp(A) cc	<70	<70	<70	<70	<70	71	72	74	76	78
250	Q1 m³/min	128,9	141,4	153,8	166,3	178,8	191,3	203,7	228,7	253,6	278,6
	DT °C	32	31	31	31	31	30	30	30	30	29
	Nsof kW	73,8	79,9	86,1	92,2	98,4	104,5	110,7	123,0	135,3	147,6
	Nmot kW	90	90	110	110	110	132	132	160	160	160
	Lp(A) sc	87	89	90	92	93	94	95	97	99	101
	Lp(A) cc	<70	<70	<70	<70	71	72	73	75	77	79
300	Q1 m³/min	126,1	138,6	151,1	163,6	176,0	188,5	201,0	225,9	250,9	275,8
	DT °C	42	41	41	40	40	40	39	39	39	38
	Nsof kW	86,3	93,4	100,6	107,8	115,0	122,2	129,4	143,8	158,1	172,5
	Nmot kW	110	110	110	132	132	160	160	160	200	200
	Lp(A) sc	89	90	92	93	95	96	97	99	101	102
	Lp(A) cc	<70	<70	<70	71	73	74	75	77	79	80
350	Q1 m³/min	123,3	135,8	148,2	160,7	173,2	185,7	198,1	223,1	248,0	273,0
	DT °C	54	53	52	51	51	50	50	49	49	48
	Nsof kW	98,7	107,0	115,2	123,4	131,6	139,9	148,1	164,5	181,0	197,5
	Nmot kW	110	132	132	160	160	160	200	200	200	250
	Lp(A) sc	90	92	93	95	96	97	98	100	102	104
	Lp(A) cc	<70	<70	71	73	74	75	76	78	80	82
400	Q1 m³/min	120,3	132,8	145,3	157,8	170,2	182,7	195,2	220,1	245,1	270,0
	DT °C	68	67	66	65	64	63	63	62	61	61
	Nsof kW	111,2	120,5	129,7	139,0	148,3	157,5	166,8	185,3	203,9	222,4
	Nmot kW	132	132	160	160	200	200	200	250	250	250
	Lp(A) sc	92	94	95	96	98	99	100	102	104	106
	Lp(A) cc	70	72	73	74	76	77	78	80	82	84
450	Q1 m³/min	117,2	129,7	142,2	154,6	167,1	179,6	192,1	217,0	242,0	266,9
	DT °C	85	84	82	81	80	79	78	77	76	75
	Nsof kW	123,7	134,0	144,3	154,6	164,9	175,2	185,5	206,1	226,7	247,4
	Nmot kW	160	160	160	200	200	200	250	250	250	315
	Lp(A) sc	94	95	97	98	99	101	102	104	106	107
	Lp(A) cc	72	73	75	76	77	79	80	82	84	85a
500	Q1 m³/min	113,8	126,3	138,8	151,2	163,7	176,2	188,7	213,6	238,6	263,5
	DT °C	107	105	103	101	99	98	97	95	94	93
	Nsof kW	136,2	147,5	158,8	170,2	181,5	192,9	204,2	226,9	249,6	272,3
	Nmot kW	160	160	200	200	200	250	250	250	315	315
	Lp(A) sc	96	97	99	100	101	103	104	106	108	109
	Lp(A) cc	74	75	77	78	79	81	82	84	85	85
550	Q1 m³/min										
	DT °C										
	Nsof kW										
	Nmot kW										
	Lp(A) sc										
	Lp(A) cc										



RBS 225

Pressure operation

Nsof: Blower absorbed power

Nmot: Advised motor power

Lp(A) sc: Sound pressure level in accordance with ISO 3746 in a free field at 1m without noise enclosure and with sound insulated pipes

Lp(A) cc: Sound pressure level in accordance with ISO 3746 in a free field at 1m with noise enclosure and with sound insulated pipes

Performances related to atmospheric air:
abs. pressure 1,013 mbar
Temperature 20° C
Humidity 50%
Specific weight 1.2 kg/m3

For performances with gases other than atmospheric air or at non-standard conditions contact your Authorized ROBUSCHI representative

Tolerance on performances: in accordance with the Robuschi TE1.S.0015 specification

DP (mbar)	Poles rpm	6						4			
		600	650	700	750	800	850	900	1000	1100	1200
300	Q1 m³/min	193,5	211,7	229,9	248,1	266,3	284,6	302,8	339,2	375,7	412,1
	DT °C	28	28	28	27	27	27	27	27	26	26
	Nsof kW	127,3	137,9	148,5	159,2	169,8	180,4	191,0	212,2	233,4	254,6
	Nmot kW	160	160	200	200	200	200	250	250	315	315
	Lp(A) sc	90	92	93	94	96	97	98	100	102	104
	Lp(A) cc	<70	<70	71	72	74	75	76	78	80	82
400	Q1 m³/min	189,6	207,8	226,0	244,2	262,5	280,7	298,9	335,3	371,8	408,2
	DT °C	38	38	37	37	37	36	36	36	36	35
	Nsof kW	163,8	177,4	191,1	204,7	218,3	232,0	245,6	272,9	300,2	327,5
	Nmot kW	200	200	250	250	250	315	315	315	355	355
	Lp(A) sc	92	93	95	96	97	98	99	101	103	105
	Lp(A) cc	<70	71	73	74	75	76	77	79	81	83
500	Q1 m³/min	186,1	204,4	222,6	240,8	259,0	277,2	295,5	331,9	368,3	404,8
	DT °C	49	48	47	47	47	46	46	45	45	45
	Nsof kW	200,2	216,9	233,6	250,3	266,9	283,6	300,3	333,7	367,0	400,4
	Nmot kW	250	250	315	315	315	315	355	400	400	450
	Lp(A) sc	93	94	96	97	99	100	101	103	105	106
	Lp(A) cc	71	72	74	75	77	78	79	81	83	84
600	Q1 m³/min	183,0	201,3	219,5	237,7	255,9	274,1	292,4	328,8	365,2	401,7
	DT °C	59	58	58	57	56	56	56	55	54	54
	Nsof kW	236,6	256,4	276,1	295,8	315,5	335,2	355,0	394,4	433,8	473,3
	Nmot kW	315	315	315	355	355	400	400	450	500	600
	Lp(A) sc	94	96	97	99	100	101	102	104	106	108
	Lp(A) cc	72	74	75	77	78	79	80	82	84	85
700	Q1 m³/min	180,2	198,4	216,6	234,9	253,1	271,3	289,5	326,0	362,4	398,8
	DT °C	70	69	68	67	67	66	66	65	64	63
	Nsof kW	273,1	295,8	318,6	341,4	364,1	386,9	409,6	455,1	500,6	546,2
	Nmot kW	315	355	355	400	400	450	450	500	600	600
	Lp(A) sc	96	97	99	100	101	102	103	105	107	109
	Lp(A) cc	74	75	77	78	79	80	81	83	85	85
800	Q1 m³/min										
	DT °C										
	Nsof kW										
	Nmot kW										
	Lp(A) sc										
	Lp(A) cc										
900	Q1 m³/min										
	DT °C										
	Nsof kW										
	Nmot kW										
	Lp(A) sc										
	Lp(A) cc										
1000	Q1 m³/min										
	DT °C										
	Nsof kW										
	Nmot kW										
	Lp(A) sc										
	Lp(A) cc										



RBS 225

Vacuum operation

Nsof: Blower absorbed power

Nmot: Advised motor power

Lp(A) sc: Sound pressure level in accordance with ISO 3746 in a free field at 1m without noise enclosure and with sound insulated pipes

Lp(A) cc: Sound pressure level in accordance with ISO 3746 in a free field at 1m with noise enclosure and with sound insulated pipes

Performances related to atmospheric air:
abs. pressure 1,013 mbar
Temperature 20° C
Humidity 50%
Specific weight 1.2 kg/m3

For performances with gases other than atmospheric air or at non-standard conditions contact your Authorized ROBUSCHI representative

Tolerance on performances: in accordance with the Robuschi TE1.S.0015 specification

DP (mbar)	Poles rpm	6						4			
		600	650	700	750	800	850	900	1000	1100	1200
200	Q1 m³/min	195,7	213,9	232,1	250,4	268,6	286,8	305,0	341,5	377,9	414,3
	DT °C	23	23	23	22	22	22	22	22	22	22
	Nsof kW	90,9	98,5	106,0	113,6	121,2	128,7	136,3	151,5	166,6	181,8
	Nmot kW	110	110	132	132	132	160	160	200	200	200
	Lp(A) sc	89	91	92	94	95	96	97	99	101	103
	Lp(A) cc	<70	<70	70	72	73	74	75	77	79	81
250	Q1 m³/min	192,2	210,4	228,6	246,8	265,0	283,3	301,5	337,9	374,4	410,8
	DT °C	31	31	31	30	30	30	30	30	29	29
	Nsof kW	109,1	118,2	127,3	136,4	145,5	154,6	163,7	181,8	200,0	218,2
	Nmot kW	132	132	160	160	160	200	200	200	250	250
	Lp(A) sc	90	92	93	95	96	97	98	100	102	104
	Lp(A) cc	<70	70	71	73	74	75	76	78	80	82
300	Q1 m³/min	188,6	206,9	225,1	243,3	261,5	279,7	298,0	334,4	370,8	407,3
	DT °C	41	40	40	40	39	39	39	38	38	38
	Nsof kW	127,3	137,9	148,5	159,2	169,8	180,4	191,0	212,2	233,4	254,6
	Nmot kW	160	160	200	200	200	200	250	250	315	315
	Lp(A) sc	92	93	95	96	98	99	100	102	104	105
	Lp(A) cc	<70	71	73	74	76	77	78	80	82	83
350	Q1 m³/min	185,0	203,3	221,5	239,7	257,9	276,1	294,4	330,8	367,2	403,7
	DT °C	52	51	51	50	50	50	49	49	48	48
	Nsof kW	145,5	157,7	169,8	181,9	194,1	206,2	218,3	242,6	266,8	291,1
	Nmot kW	160	200	200	200	250	250	250	315	315	315
	Lp(A) sc	93	95	96	98	99	100	101	103	105	107
	Lp(A) cc	71	73	74	76	77	78	79	81	83	85
400	Q1 m³/min	181,3	199,5	217,7	235,9	254,2	272,4	290,6	327,0	363,5	399,9
	DT °C	66	65	64	63	63	62	62	61	60	60
	Nsof kW	163,8	177,4	191,1	204,7	218,3	232,0	245,6	272,9	300,2	327,5
	Nmot kW	200	200	250	250	250	315	315	315	355	355
	Lp(A) sc	95	97	98	99	101	102	103	105	107	109
	Lp(A) cc	73	75	76	77	79	80	81	83	85	85
450	Q1 m³/min	177,3	195,5	213,7	231,9	250,2	268,4	286,6	323,0	359,5	395,9
	DT °C	83	81	80	79	78	77	77	75	75	74
	Nsof kW	182,0	197,1	212,3	227,5	242,6	257,8	273,0	303,3	333,6	364,0
	Nmot kW	200	250	250	250	315	315	315	355	400	400
	Lp(A) sc	97	98	100	101	102	104	105	107	109	110
	Lp(A) cc	75	76	78	79	80	82	83	85	85	85
500	Q1 m³/min										
	DT °C										
	Nsof kW										
	Nmot kW										
	Lp(A) sc										
	Lp(A) cc										
550	Q1 m³/min										
	DT °C										
	Nsof kW										
	Nmot kW										
	Lp(A) sc										
	Lp(A) cc										