

LOCAL EXTRACTOR

MEX A & MEX AA

Telescopic local extractor for extraction of fumes from atomic absorption processes



The MEX A and MEX AA is especially designed to take care of polluted air at a high temperature e.g. from an atomic absorption unit. The hood and all components that are at risk of coming into contact with hot air are made from either anodised aluminium or stainless steel EN 1.4404, (316 L). The wall bracket is made from powder coated mild sheet steel. The vertical telescopic movement is 440 mm.

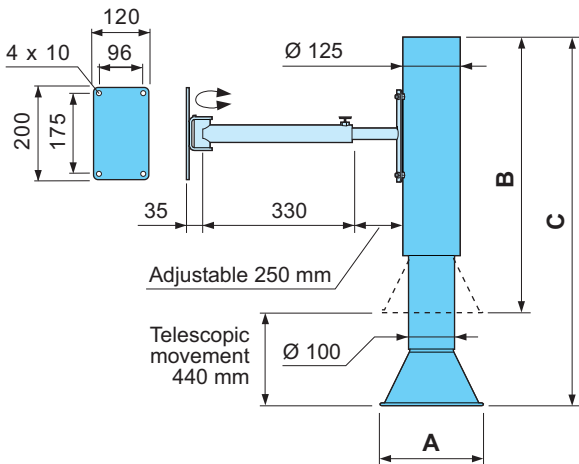
The extractor is standard designed for wall mounting. The wall bracket is also adjustable horizontally. As an option a ceiling mounting bracket can be supplied.

For connection to the ventilation duct a 1.5 m long flexible hose, with a maximum temperature resistance of 250 °C, is delivered with the extractor.

The telescopic movement is created by two sliding rings made of teflon for heat resistance and a locking device to ensure that the hood stays in the intended vertical position.

Fumex also offers a range of fans, accessories and automatic control devices for our local extractors.

FUMEX®
LOCAL EXTRACTOR
Pure advantage

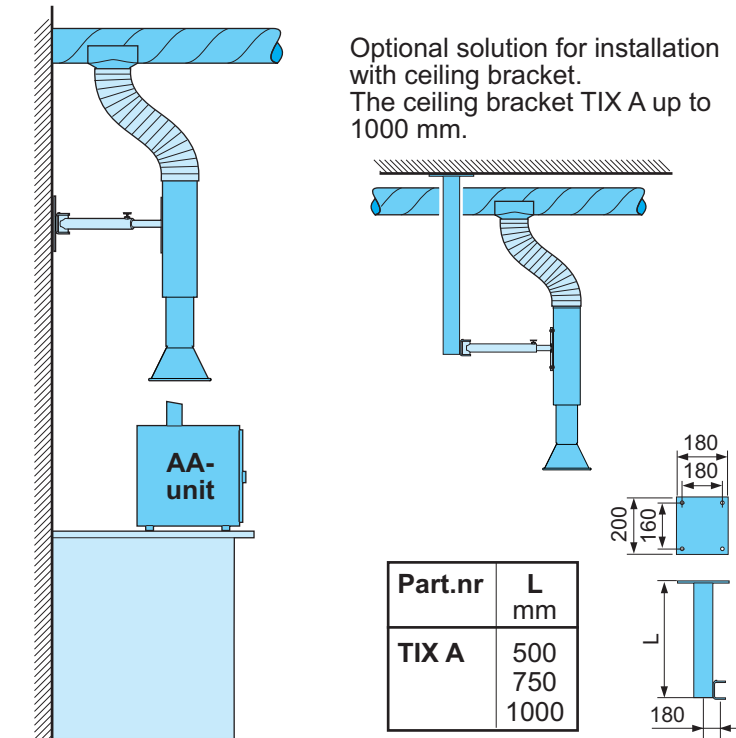
Wall mounting

MEX A aluminium hood and pipe
MEX AA stainless steel hood and pipe

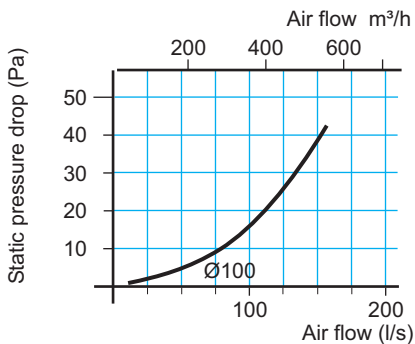
Part.nr	A mm	B mm	C mm
MEX A	223	635	1075
MEX AA	250	635	1075

Ceiling mounting

Optional solution for installation with ceiling bracket.
 The ceiling bracket TIX A up to 1000 mm.



Part.nr	L mm
TIX A	500 750 1000



To avoid damage and other inconveniences on material further down the airstream it is recommended to extract a proportionately large volume of ambient room air to reduce the temperature of the extracted air.

Example - Air from the atomic absorption unit	10 l/s at 1000°C
- Room air	70 l/s at 20°C
- Mixed air (extracted air)	80 l/s at ~100°C

Tube and hood and brackets

MEX A is made from anodised aluminium
 MEX AA is made from stainless steel EN 1.4404, (316 L).
 The wall bracket is in white powder-coated mild steel.
 The ceiling bracket TIX A is in powder-coated mild steel and is available in lengths up to 1.0 m.

Flexible hose

The hose is made from an outer and inner layer of aluminium with a supporting layer of polyester and spring steel coil.
 Length 1.5 m including 2 clamps.

Delivery

For easy installation, the arm is delivered fully assembled.
 Wall bracket model is standard. The ceiling brackets are optional.

Flexible hose

Material	Aluminium, polyester
Temperature range	-30°C to +250°C
Dimension	Ø 125 mm

Sliding lining

Material	PTFE, adjustable friction.
Temperature range	-30°C to +300°C

Other information

Surface treatment of mild steel components	White powder coating
Total weight	8 kg