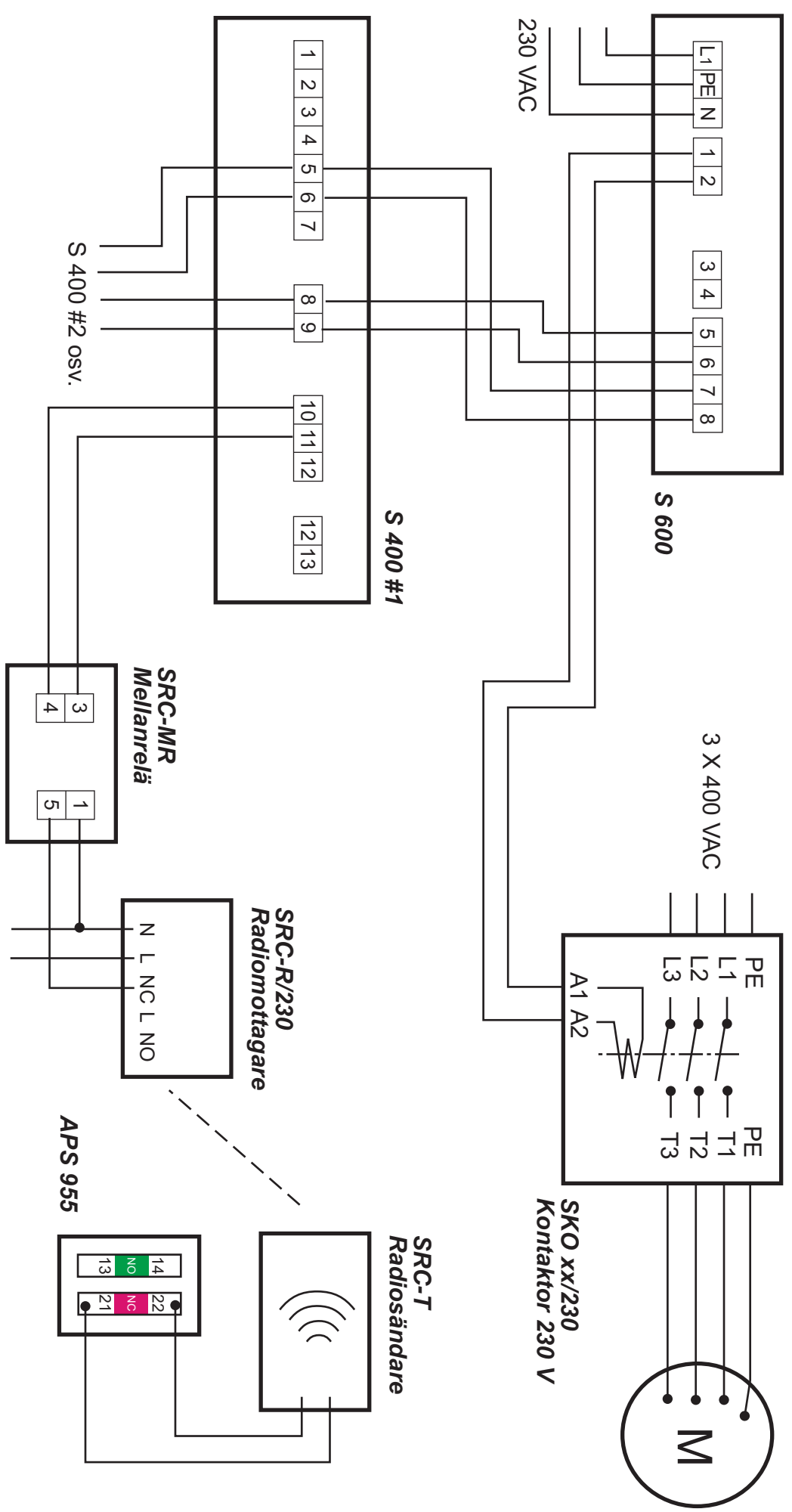


# ELFÖRBINDNINGSSCHEMA SYSTEM 2:12

0942

Copyright Fumex AB 2009



# CONNECTION DRAWING SYSTEM 2:12

0942

Copyright Fumex AB 2009

