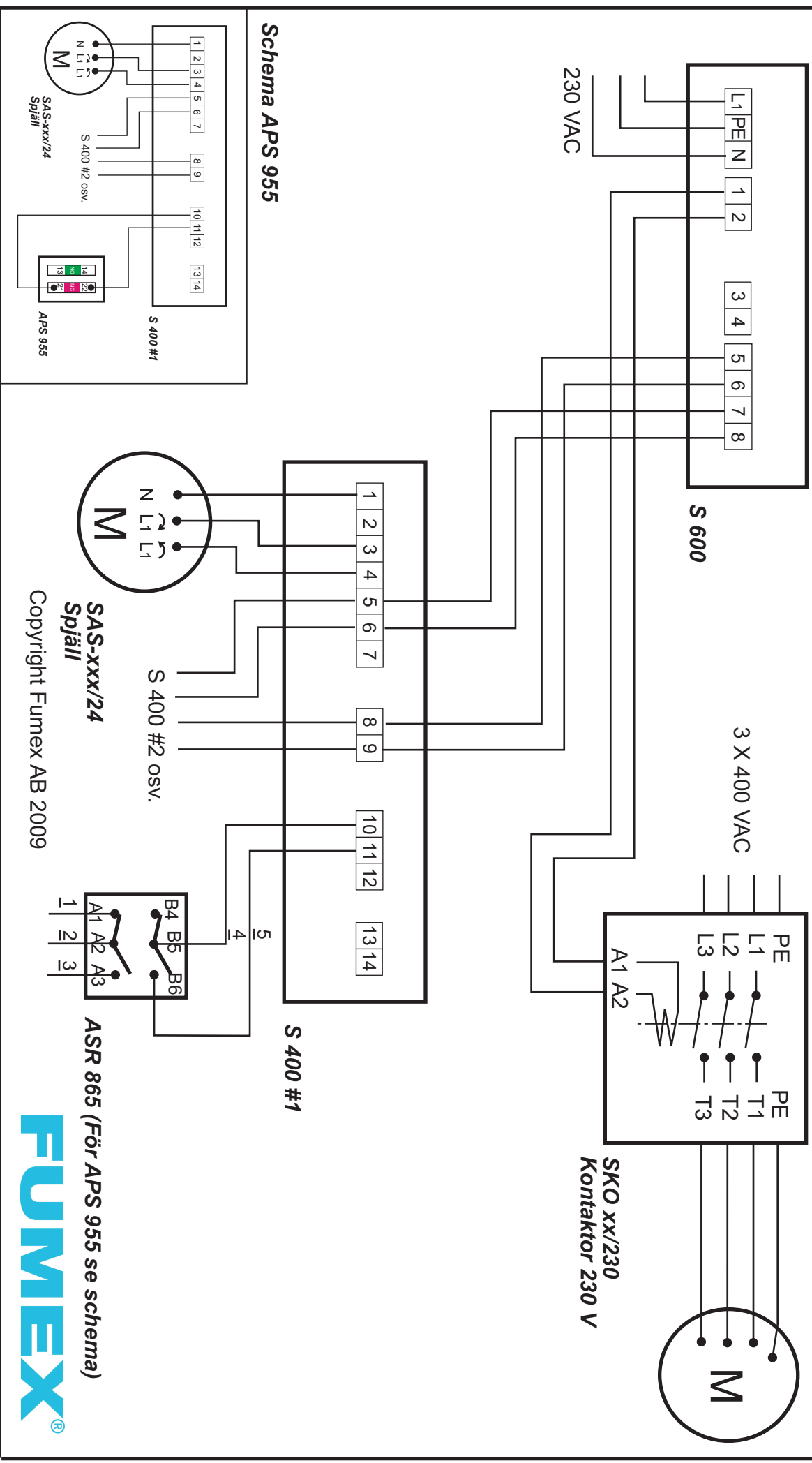
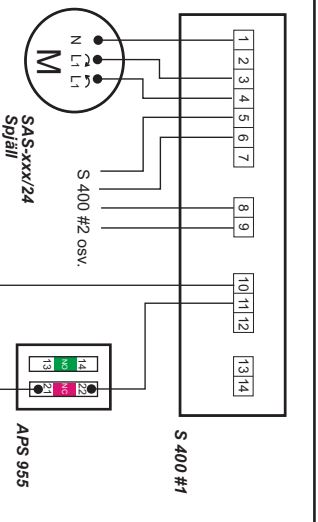


ELFÖRBINDNINGSSCHEMA SYSTEM 3:11

0948



Schema APS 955



SAS-xxx/24
Spjäll

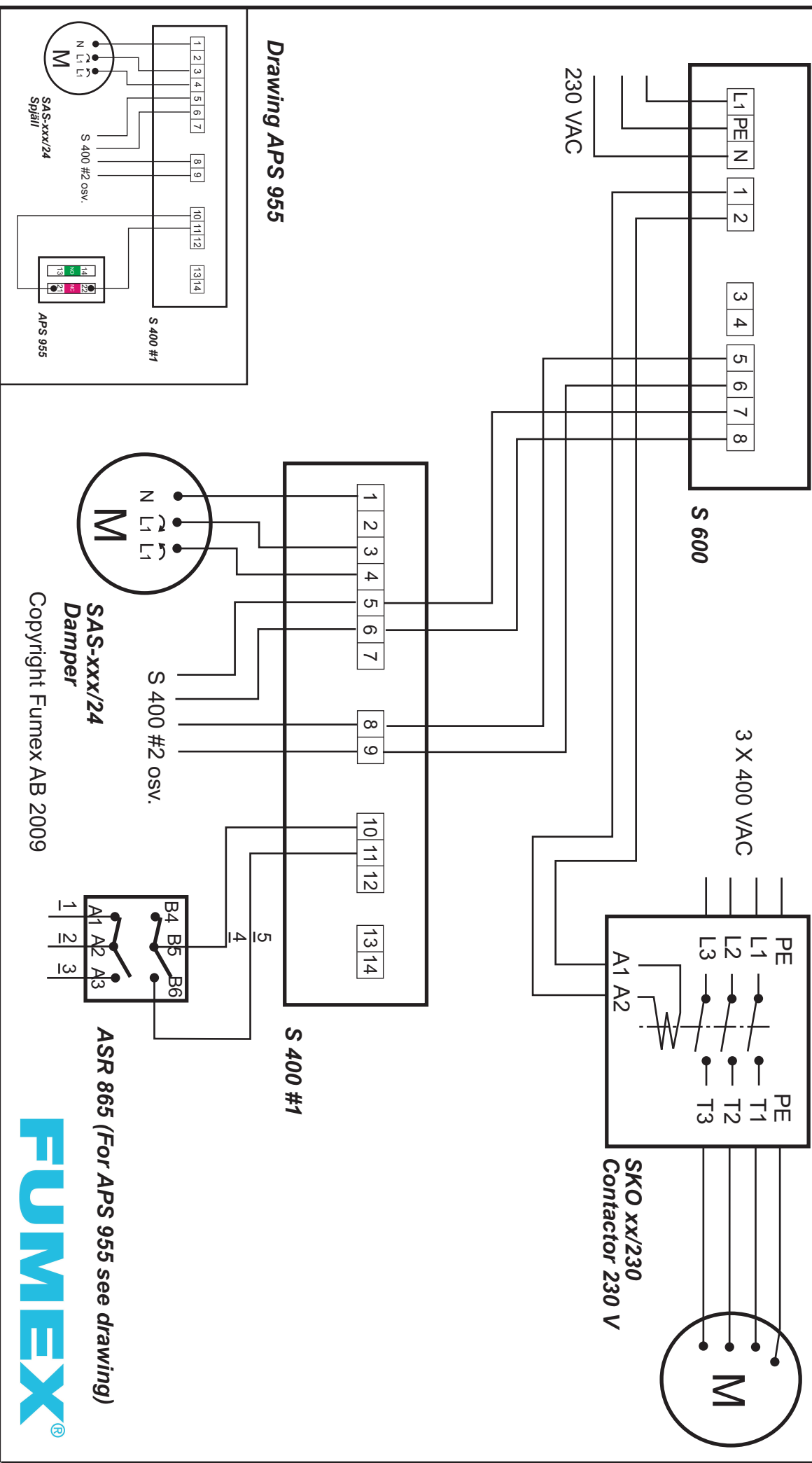
Copyright Fumex AB 2009

ASR 865 (För APS 955 se schema)



CONNECTION DRAWING SYSTEM 3:11

0948



Drawing APS 955

SAS-xxx/24 Damper

ASR 865 (For APS 955 see drawing)



Copyright Fumex AB 2009