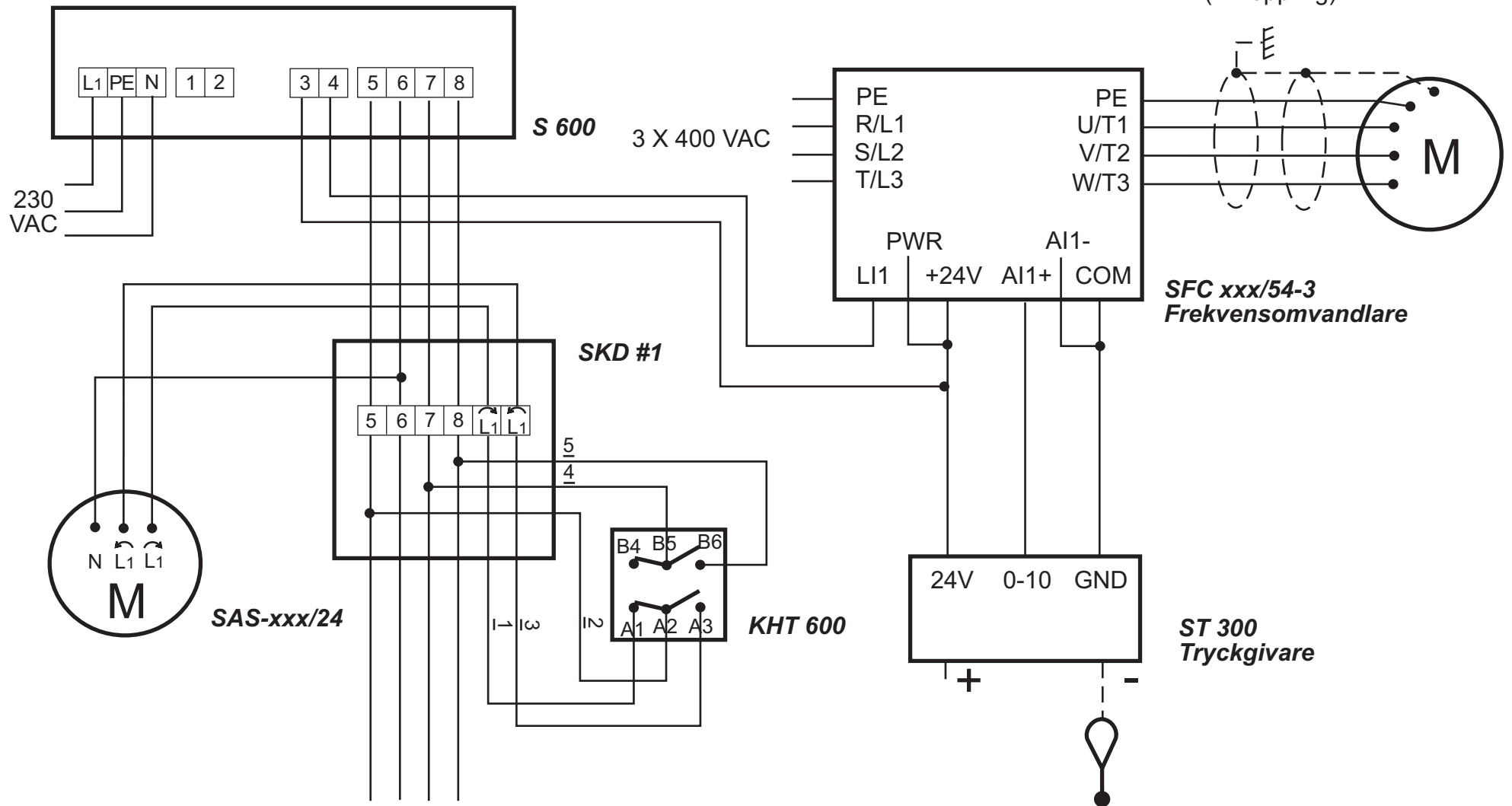


ELFÖRBINDNINGSSCHEMA SYSTEM 4:1, IP 54

0913



Copyright Fumex AB 2009

FUMEX[®]

CONNECTION DRAWING SYSTEM 4:1, IP 54

0913

